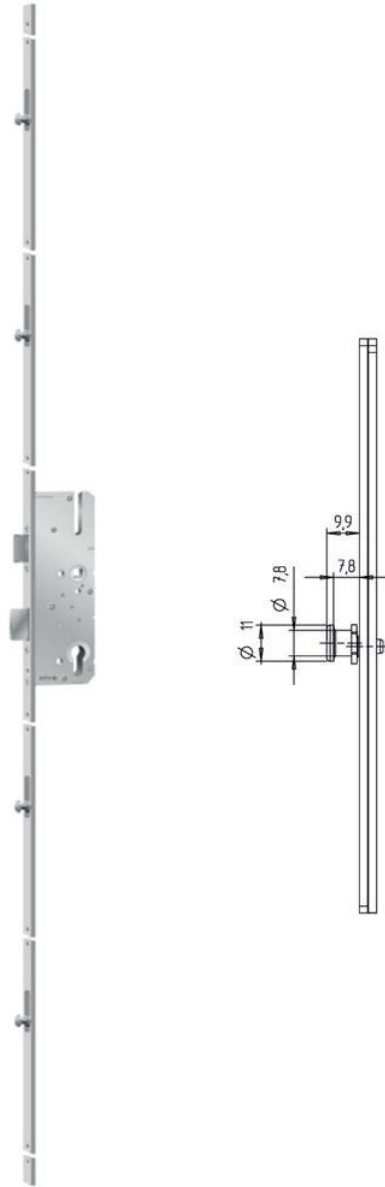


KfV AS8100 Multi-point Lock

Product information

Key operated, comfort mushroom (x4) multipoint lock (1020mm height from bottom to spindle).

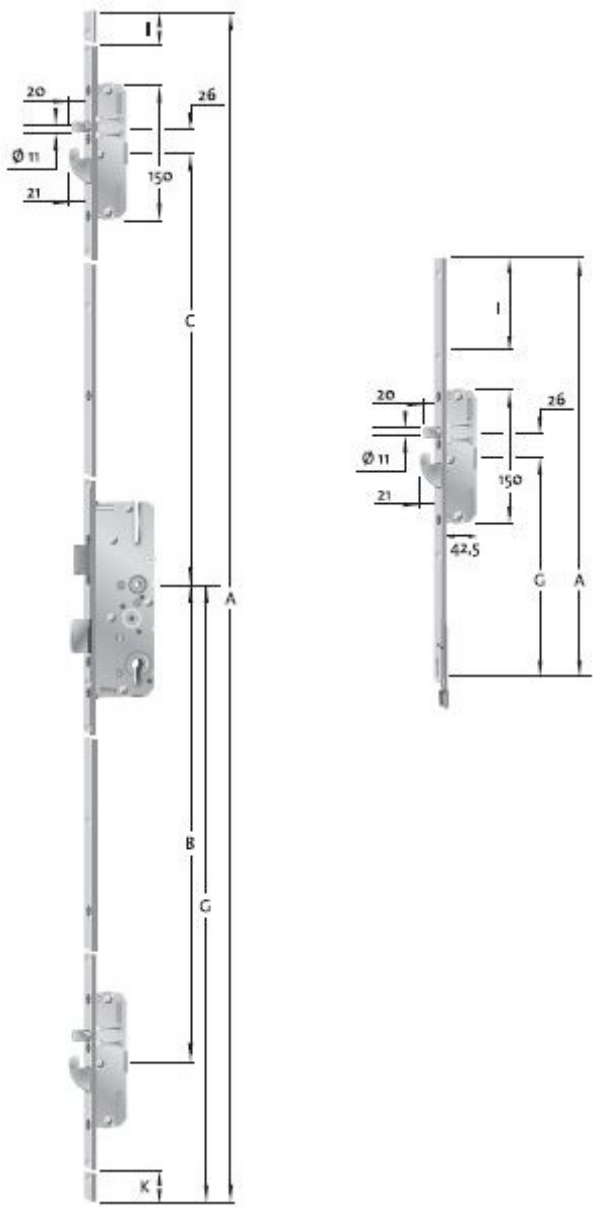


Product code	Description	Gear height (mm)	Faceplate (mm)	Backset (mm)	PZ Distance (mm)	Spindle (mm)	Packaging unit
3494514	AS8100 16/25-92 8mm	2170	16	25	92	8	5
3473267	AS8100 16/35-92 8mm	2170	16	35	92	8	5
3497710	AS8100 16/55-92 8mm	2170	16	55	92	8	5

KFV AS2600 Multi-point Lock

Product information

Key operated hook and pin lock with RC2 security as standard, 1020mm height from bottom to spindle.

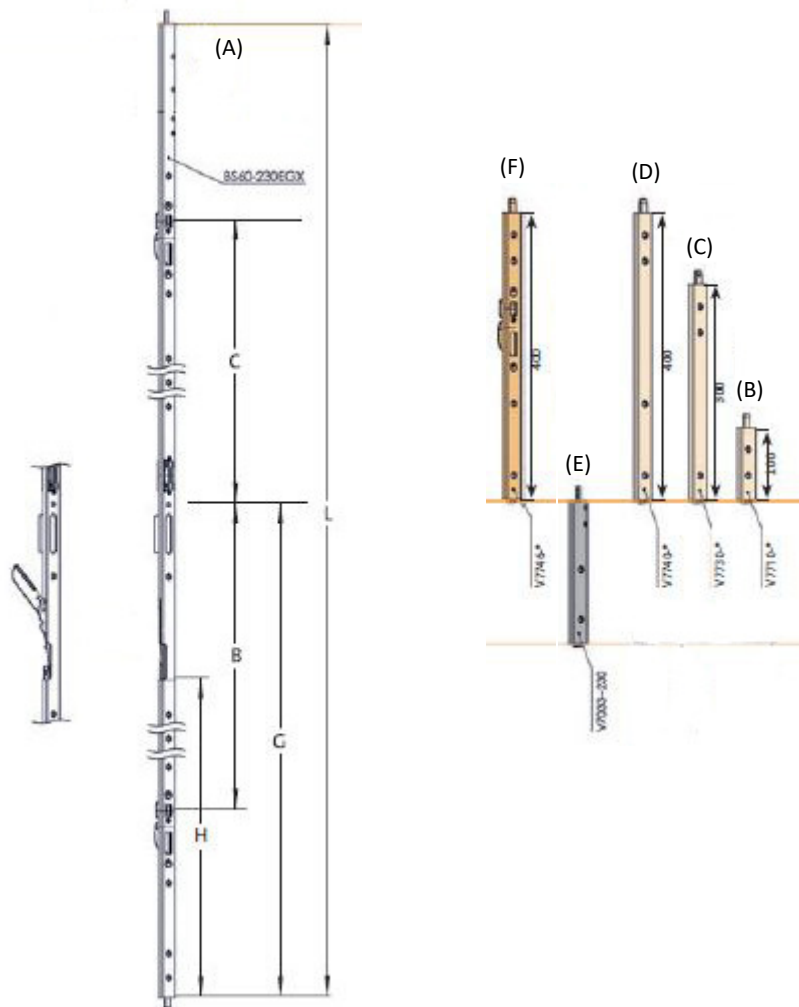


Product code	Description	Gear height (mm)	Faceplate (mm)	Backset (mm)	PZ Distance (mm)	Spindle (mm)	Packaging unit
3453999	AS2600 16/35-92 8mm	2170	16	35	92	8	5
3434169	AS2600 16/55-92 8mm	2170	16	55	92	8	5
3467747	AS2600 additional gear lock	400	16	n/a	n/a	n/a	1

KfV AS2600 Slave Gear

Product information

Secondary gear and extension parts for AS2600 door lock.



Product code	Description	Reference	Handing	Size (mm)	System	Packaging unit
3440486	AS2600 slave gear	A	left	n/a	timber	5
3453952	AS2600 slave gear	A	right	n/a	timber	5
3440396	Slave gear shootbolt	B	right	100	timber	1
3440395	Slave gear shootbolt	B	left	100	timber	1
3440400	Slave gear shootbolt	C	right	300	timber	1
3440399	Slave gear shootbolt	C	left	300	timber	1
3440402	Slave gear shootbolt	D	right	400	timber	1
3440401	Slave gear shootbolt	D	left	400	timber	1
3449160	Slave gear extension	E	right	200	timber	1
3449161	Slave gear extension	E	left	200	timber	1
3483334	Slave gear shootbolt with striker	F	right	400	timber	1
3483333	Slave gear shootbolt with striker	F	left	400	timber	1

KFV AS3600 Multi-point Lock

Product information

Key operated hook and pin lock with RC2 security as standard, automatic locking upon closing of door, optional 'A' opener allows automated unlocking from the outside via access control systems.



Product code	Description	Gear height (mm)	Faceplate (mm)	Backset (mm)	PZ Distance (mm)	Spindle (mm)	Packaging unit
3505479	AS3600 16/35-92 8mm	2170	16	35	92	8	5
3505736	AS3600 16/55-92 8mm	2170	16	55	92	8	5
3493787	'A' opener (optional)	n/a	n/a	n/a	n/a	n/a	1
3483987	Door arrester (optional)	n/a	n/a	55	n/a	n/a	1

Note: Access control systems can be seen on Genius catalogue page

KFV Multi-point Panic Lock

Product information

Multi-point lock with main latch, deadbolt and two pinbolts.

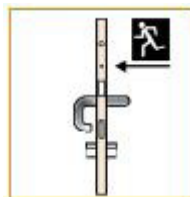


- Direction of escape can be set on the main lock for function B and D
- Suitable for fire-rated doors (minimum face plate widths of 16 mm)
- Adjustable DIN direction
- Escutcheon holes at a minimum 35 mm backset
- Can be combined with KFV standard frame parts
- DIN cylinder with and without free-running cam and/or round cylinder can be used



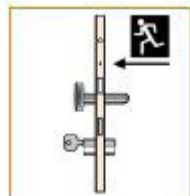
Change-over function B

The door can only be opened against the escape direction using the handle after it has been unlocked with the key. After the escape function has been activated, access against the escape direction is blocked once the door closes again, and it is not possible to escape back into the building.



Free access function D

The door can only be opened against the escape direction using the handle after it has been unlocked with the key. After the escape function has been activated, the door is accessible from both sides and it is possible to escape back against the escape direction.



Key-operated latch function E

The door can only be opened against the escape direction after it has been unlocked and it can only be opened with the key. After the escape function has been activated, access against the escape function is blocked once the door closes and it is not possible to escape back into the building.

Product code	Description	Function	Backset (mm)	Spindle (mm)	Packaging unit
3458448	Panic lock EP930	B	35	9	1
3466153	Panic lock EP930	D	35	9	1
3459794	Panic lock EP930	E	35	9	1
3485046	Panic lock EP930	B	55	9	1
3485047	Panic lock EP930	D	55	9	1
3485048	Panic lock EP930	E	55	9	1
3479652	Panic lock split spindle kit	n/a	n/a	9	1
3504252	Panic push bar	n/a	n/a	n/a	1

Note: Not all items are stocked, some parts available on request.

KfV Latch Plates

Product information

Latch plates for AS2600, AS3600 and Genius systems.



Product code	Description	Handing	Profile	System	Packaging unit
3213993	Latch plate for 92 PZ doors	variable	4mm	timber	1
3371443	Latch plate for 92 PZ doors	variable	12mm	timber	1

KfV Hook & Pin Strikers

Product information

Strikers for AS2600, AS3600 and Genius systems.



Product code	Description	Handing	Profile	System	Packaging unit
3438123	Hook and pin striker	variable	4mm	timber	1
3221513	Hook and pin striker	variable	12mm	timber	1

KfV Shootbolt Striker

Product information

Eccentric bush for adjustment.

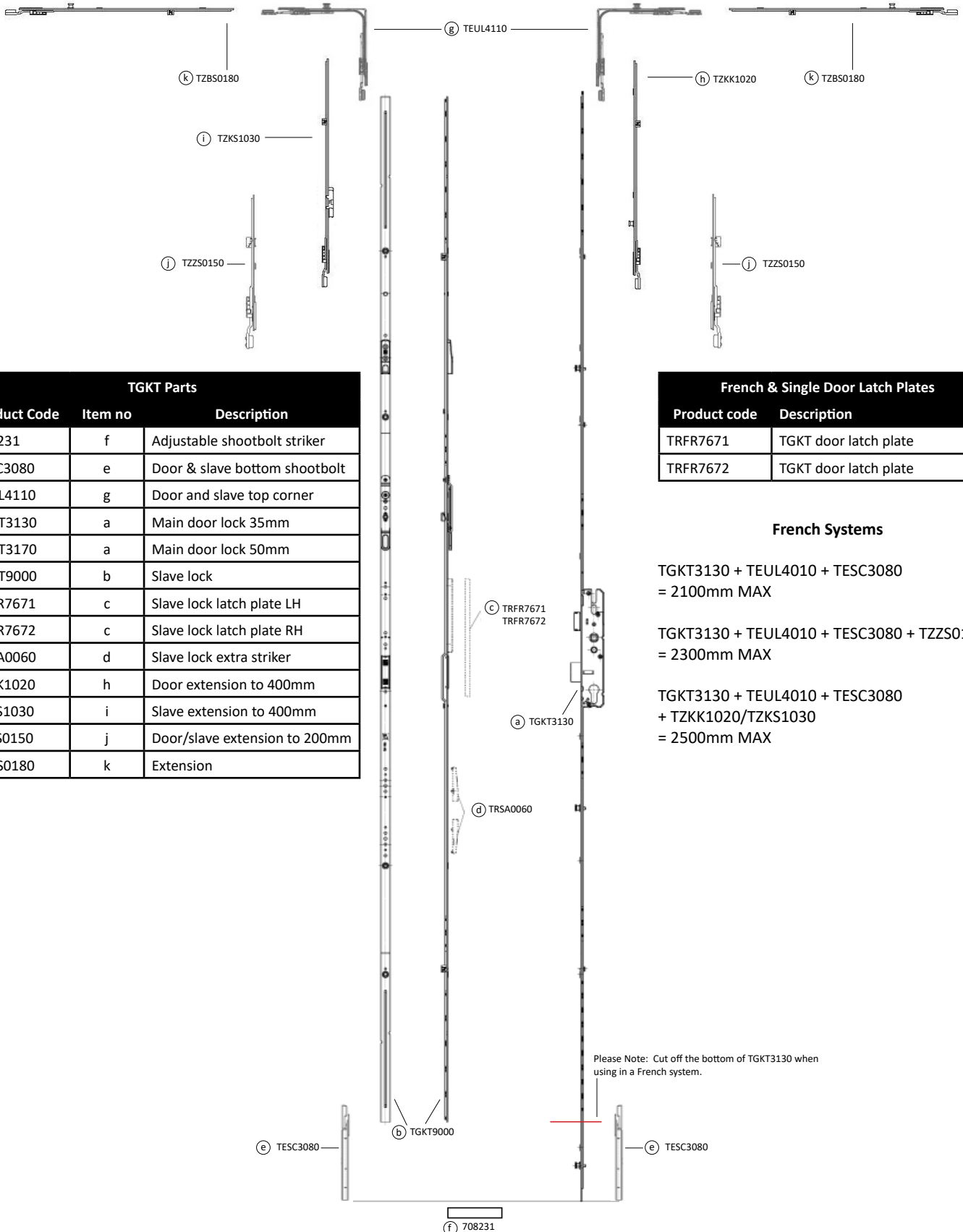


Product code	Description	Diameter (mm)	Packaging unit
3473961	Shootbolt striker drill fix	24	1

Siegenia TGKT French Door System

Product information

French door system with various corner drive, shoot bolt and extension options.



TGKT Parts		
Product Code	Item no	Description
708231	f	Adjustable shootbolt striker
TESC3080	e	Door & slave bottom shootbolt
TEUL4110	g	Door and slave top corner
TGKT3130	a	Main door lock 35mm
TGKT3170	a	Main door lock 50mm
TGKT9000	b	Slave lock
TRFR7671	c	Slave lock latch plate LH
TRFR7672	c	Slave lock latch plate RH
TRSA0060	d	Slave lock extra striker
TZKK1020	h	Door extension to 400mm
TZKS1030	i	Slave extension to 400mm
TZZS0150	j	Door/slave extension to 200mm
TZBS0180	k	Extension

French & Single Door Latch Plates	
Product code	Description
TRFR7671	TGKT door latch plate
TRFR7672	TGKT door latch plate

French Systems

TGKT3130 + TEUL4010 + TESC3080
= 2100mm MAX

TGKT3130 + TEUL4010 + TESC3080 + TZZS0150
= 2300mm MAX

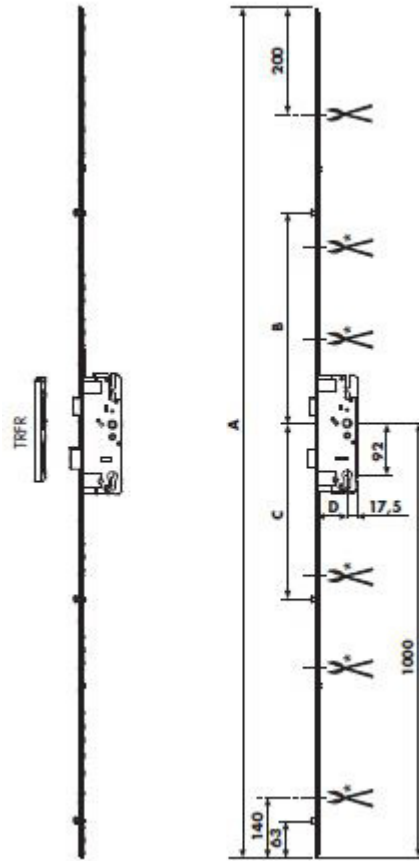
TGKT3130 + TEUL4010 + TESC3080
+ TZKK1020/TZKS1030
= 2500mm MAX

Please Note: Cut off the bottom of TGKT3130 when using in a French system.

Siegenia TGKT Door Gear

Product information

Handle operated entrance door gear with deadbolt, 8mm spindle and 92 PZ.



TITAN Silver Coating

Dimensions (mm)

Product code	Description	A	B	C	D	Cams	Screws	Packaging unit
TGKT3110-100010	Door gear DB 28/92/8	1960	460	311	28	3	8	5
TGKT3130-100010	Door gear DB 35/92/8	1960	460	311	35	3	8	5
TGKT3170-100010	Door gear DB 50/92/8	1960	460	311	50	3	8	5

E-LOOK Coastal Coating

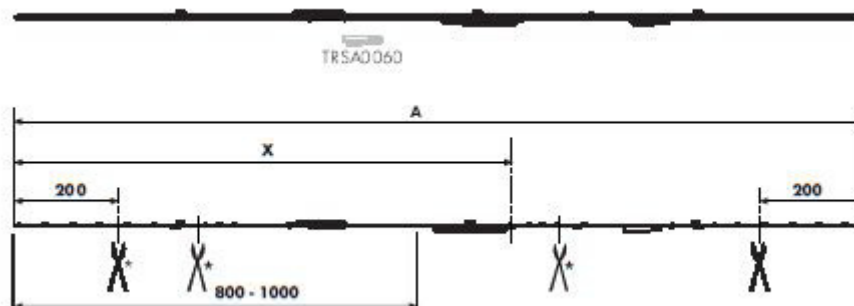
Dimensions (mm)

Product code	Description	A	B	C	D	Cams	Screws	Packaging unit
TGKT3110-200010	Door gear DB 28/92/8	1960	460	311	28	3	8	5
TGKT3130-200010	Door gear DB 35/92/8	1960	460	311	35	3	8	5
TGKT3170-200010	Door gear DB 50/92/8	1960	460	311	50	3	8	5

Siegenia TGKT 9000 Secondary Lock

Product information

Secondary gear for TGKT French system.



TITAN Silver Coating

Product code	Description	Dimensions (mm)				
		A	X	Strikers	Screws	Packaging unit
TGKT9000-100010	Slave lock	1820	1140	1	7	5
TRSA0060-100010	Slave lock extra striker	-	-	-	-	25

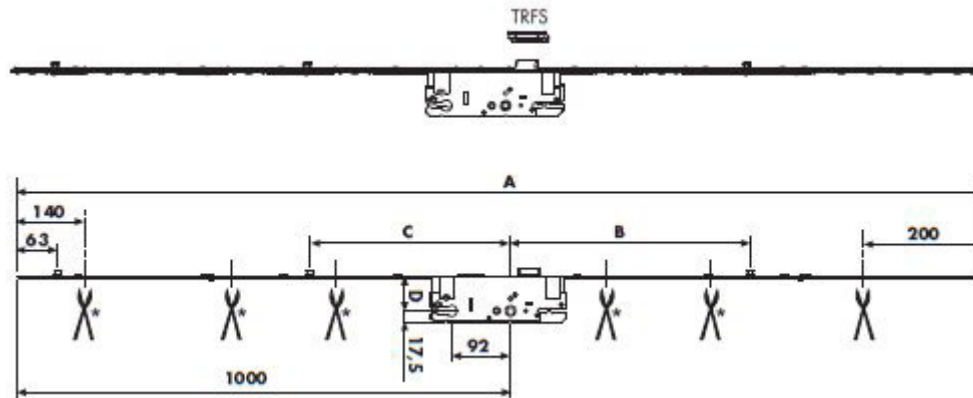
E-LOOK Coastal Coating

Product code	Description	Dimensions (mm)				
		A	X	Strikers	Screws	Packaging unit
TGKT9000-200010	Slave lock	1820	1140	1	7	5
TRSA0060-100010	Slave lock extra striker	-	-	-	-	25

Siegenia TGKT Door Gear - No Deadbolt

Product information

Handle operated entrance door gear without deadbolt. 8mm spindle and 92 PZ.



Product code	Description	Dimensions (mm)				Screws	Packaging unit
		A	B	C	D		
TGKT3030-100010	Door gear DB 35/92/8	1960	460	311	35	8	5
TGKT3070-100010	Door gear DB 50/92/8	1960	460	311	50	8	5

Siegenia TGKT Door Latch Plate

Product information

Latch plates for 12mm timber and French systems.



Product code	Description	Side	System	Profile	Packaging unit
TRFR7671	TGKT door latch plate	right	slave	gear mount	25
TRFR7672	TGKT door latch plate	left	slave	gear mount	25
TRFR7671	TGKT door latch plate	right	timber	12mm airgap	25
TRFR7672	TGKT door latch plate	left	timber	12mm airgap	25