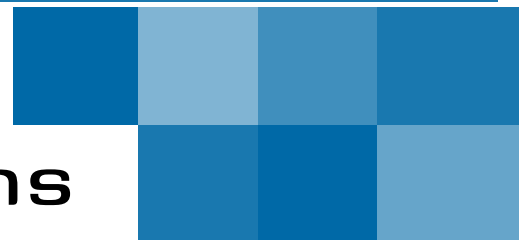


SIEGWARE

Architectural Innovations



Handles Catalogue 2020

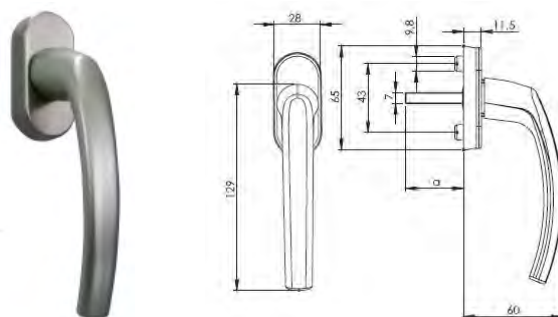
Handles

▪ Builders Range	
IMAT	1
Vita	5
▪ Standard Range	
blaugelb	7
Victory	16
Hoppe Tokyo	20
Sliding	22
Pull bar	24
▪ Architectural Range	
Dublin	29
Si-line	31
Frontline entrance	38
Hoppe Toulon & Meran	42
Frontline pull bar	45
FSB	51
▪ Miscellaneous	53

IMAT Oval Filiz Tilt & Turn Handle

Product information

Coated and anodised finishes, 43mm screw centres, and 40mm screws included.

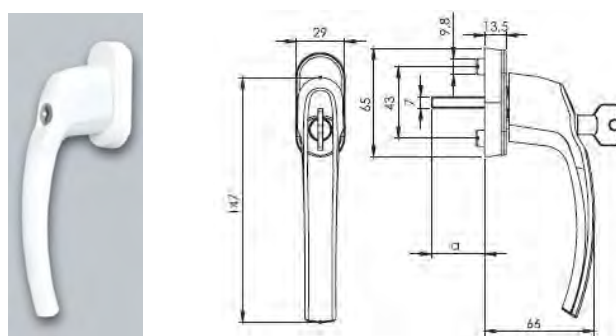


Product code	Material	Spindle	Finish	Colour	Packaging unit
IMTT9016OF	Tilt & turn handle	7 x 35mm	coated	white	50
IMTT9005OF	Tilt & turn handle	7 x 35mm	coated	black	50
IMTTEF01OF	Tilt & turn handle	7 x 35mm	anodised	silver	50
IMTTEF03OF	Tilt & turn handle	7 x 35mm	anodised	gold	50

IMAT Oval Filiz Tilt & Turn Lockable Handle

Product information

Coated and anodised finishes, 43mm screw centres, and 40mm screws included.

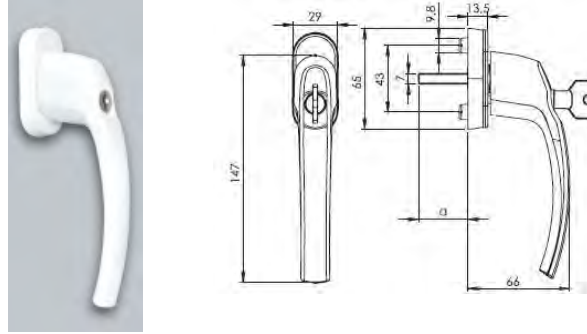


Product code	Material	Spindle	Finish	Colour	Packaging unit
IMLTT9016OF	Tilt & turn lockable handle	7 x 35mm	coated	white	50
IMLTT9005OF	Tilt & turn lockable handle	7 x 35mm	coated	black	50
IMLTTEF01OF	Tilt & turn lockable handle	7 x 35mm	anodised	silver	50
IMLTTEF03OF	Tilt & turn lockable handle	7 x 35mm	anodised	gold	50

IMAT Oval Filiz Tilt Before Turn Handle

Product information

Coated and anodised finishes, 43mm screw centres, and 40mm screws included.

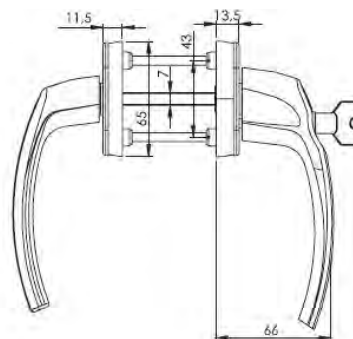


Product code	Material	Spindle	Finish	Colour	Packaging unit
IMLTBT9016OF	Tilt before turn lockable handle	7 x 35mm	coated	white	50
IMLTBT9005OF	Tilt before turn lockable handle	7 x 35mm	coated	black	50
IMLTBTEF01OF	Tilt before turn lockable handle	7 x 35mm	anodised	silver	50
IMLTBTEF03OF	Tilt before turn lockable handle	7 x 35mm	anodised	gold	50

IMAT Oval Filiz Lockable Balcony Set

Product information

Coated and anodised finishes, and 43mm screw centres (coated handles include spindle kit).

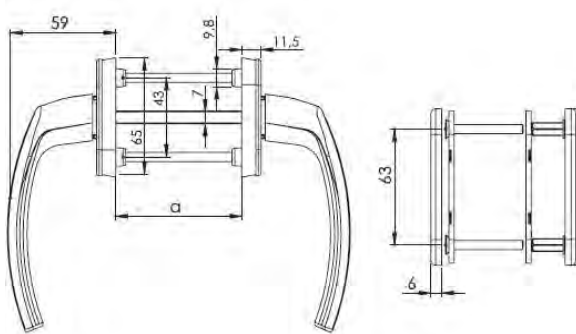


Product code	Description	Spindle	Finish	Colour	Packaging unit
IMBSL9016OF	Lockable balcony set - spindle kit included	7 x 100mm	coated	white	35
IMBSLEF01OF	Lockable balcony set	7 x 100mm	anodised	silver	35
ZMZP0010	Spindle kit for 75-84mm profile	-	-	-	1
ZMZP0020	Spindle kit for 65-74mm profile	-	-	-	1

IMAT Oval Filiz Balcony Set with Rosette

Product information

Coated and anodised finishes, and 43mm screw centres (coated handles include spindle kit).

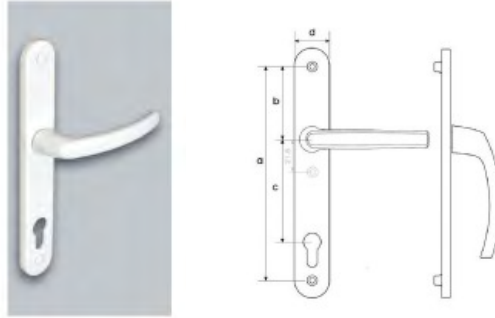


Product code	Material	Spindle	Finish	Colour	Packaging unit
IMBSR9016OF	Balcony set with rosette, without lock, spindle kit included	7 x 100mm	coated	white	15
IMBSR9005OF	Balcony set with rosette, without lock, spindle kit included	7 x 100mm	coated	black	15
IMBSREF01OF	Balcony set with rosette, without lock	7 x 100mm	anodised	silver	15
IMBSREF03OF	Balcony set with rosette, without lock	7 x 100mm	anodised	gold	15
ZMZP0010	Spindle kit for 75-84mm profile	-	-	-	1
ZMZP0020	Spindle kit for 65-74mm profile	-	-	-	1

IMAT Oval Filiz Entrance Handle

Product information

Coated and anodised finishes, 92mm PZ distance, with screws and spindle supplied.

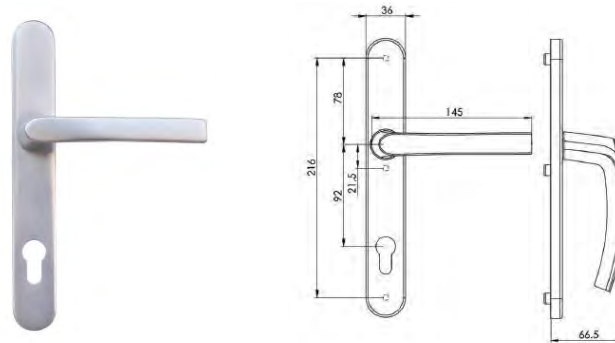


Product code	Description	Spindle	Faceplate size	Finish	Colour	Packaging unit
IM28EH9016OF	Internal/external entrance lever handle set	8 x 115mm	28mm	coated	white	25
IM28EH9005OF	Internal/external entrance lever handle set	8 x 115mm	28mm	coated	black	25
IM30EHEF01OF	Internal/external entrance lever handle set	8 x 115mm	30mm	anodised	silver	25
IM30EHEF03OF	Internal/external entrance lever handle set	8 x 115mm	30mm	anodised	gold	25

IMAT Bati Entrance Handle

Product information

Coated and anodised finishes, 92mm PZ distance, with screws and spindle supplied. Clip on faceplate for concealed fixings.

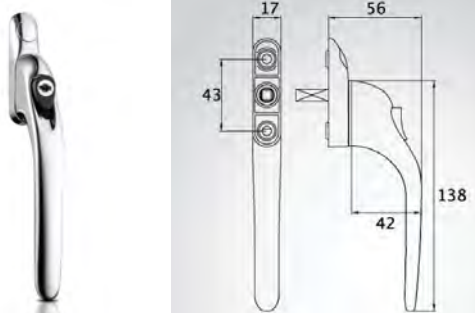


Product code	Description	Spindle	Faceplate size	Finish	Colour	Packaging unit
IM36EH9016BA	Internal/external entrance lever handle set	8 x 130mm	36mm	coated	white	25
IM36EHEF01BA	Internal/external entrance lever handle set	8 x 130mm	36mm	anodised	silver	25
IM36EHEF03BA	Internal/external entrance lever handle set	8 x 130mm	36mm	anodised	gold	25

Vita Outward Opening Inline Handle

Product information

43mm centres, with screws and spindle supplied. Outward handle suitable for uPVC, aluminium and timber window profiles. Non locking and locking handles available.

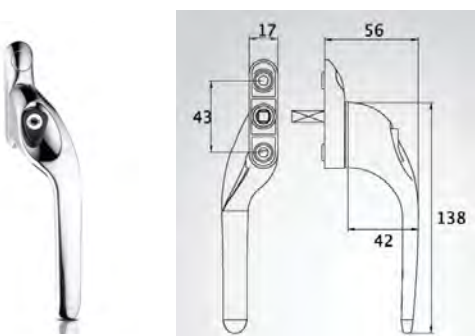


Product code	Description	Spindle	Finish	Colour	Packaging unit
HB117SWH740PK	HB117 outward handle set - locking	7 x 40mm	coated	white	10
HB117SBK740PK	HB117 outward handle set - locking	7 x 40mm	coated	black	10
HB117SSL740PK	HB117 outward handle set - locking	7 x 40mm	coated	silver	10
HB117SWH740P	HB117 outward handle set - non locking	7 x 40mm	coated	white	10
HB117SBK740P	HB117 outward handle set - non locking	7 x 40mm	coated	black	10
HB117SSL740P	HB117 outward handle set - non locking	7 x 40mm	coated	silver	10

Vita Outward Opening Cranked Handle

Product information

43mm centres, with screws and spindle supplied. Cranked handle suitable for uPVC, aluminium and timber window profiles. Non locking and locking handles available. Left and right available.



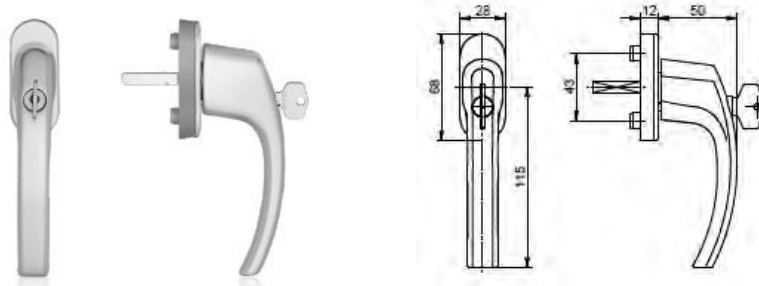
Product code	Description	Spindle	Finish	Colour	Packaging unit
HB118LWH740PK	HB118 outward cranked locking handle - left	7 x 40mm	coated	white	10
HB118LBK740PK	HB118 outward cranked locking handle - left	7 x 40mm	coated	black	10
HB118LSL740PK	HB118 outward cranked locking handle - left	7 x 40mm	coated	silver	10
HB118RWH740PK	HB118 outward cranked locking handle - right	7 x 40mm	coated	white	10
HB118RBK740PK	HB118 outward cranked locking handle - right	7 x 40mm	coated	black	10
HB118RSL740PK	HB118 outward cranked locking handle - right	7 x 40mm	coated	silver	10



blaugelb FGS 1758 Tilt & Turn Lockable Handle

Product information

Invisible fixing, screws and one key supplied.

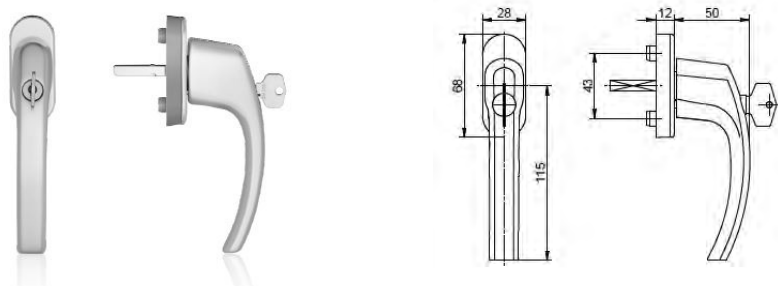


Product code	Description	Spindle	Finish	Colour	Packaging unit
0431575	Tilt & turn locking handle	7 x 37mm	coated	white	20
0431582	Tilt & turn locking handle	7 x 37mm	anodised	silver	20

blaugelb FGS 1758 Tilt Before Turn Lockable Handle

Product information

Invisible fixing, screws and one key supplied.

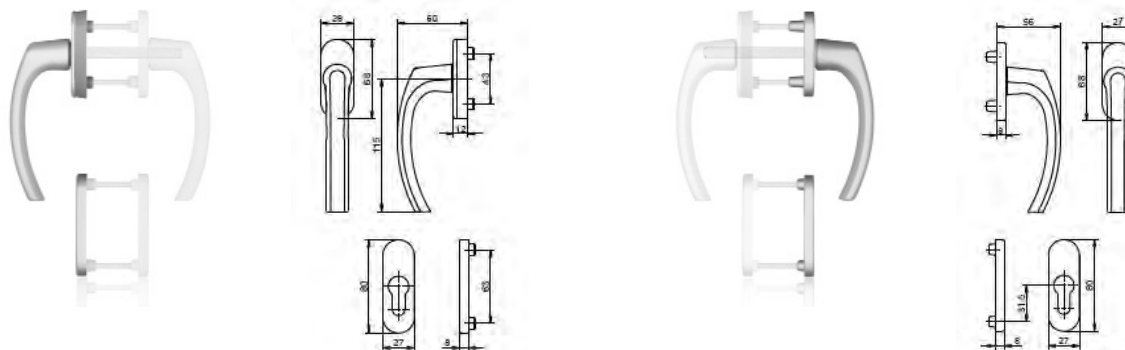


Product code	Description	Spindle	Finish	Colour	Packaging unit
0431640	Tilt before turn locking handle	7 x 37mm	coated	white	20
0431649	Tilt before turn locking handle	7 x 37mm	anodised	silver	20

blaugelb FGS 1758 Balcony Handle

Product information

Invisible fixing, spindle kit supplied separately.

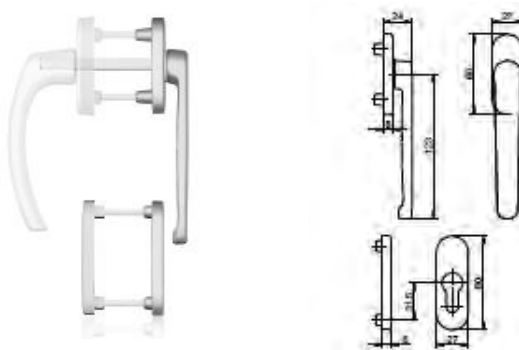


Product code	Description	Spindle	Finish	Colour	Packaging unit
0431661	Internal balcony door handle set	7mm	coated	white	2
0431700	External balcony door handle set	7mm	coated	white	2
0431665	Internal balcony door handle set	7mm	anodised	silver	2
0431703	External balcony door handle set	7mm	anodised	silver	2
0431718	Spindle kit 67-72mm including screws	-	-	-	1

blaugelb FGS 1758 Flat Balcony Handle

Product information

Invisible fixing, spindle kit supplied separately.

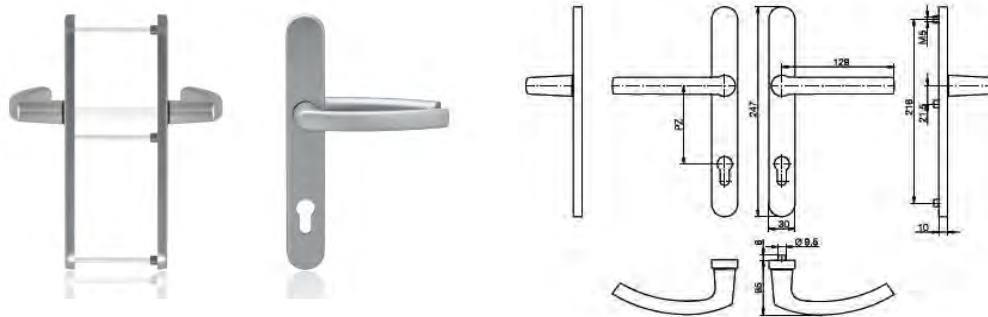


Product code	Description	Spindle	Finish	Colour	Packaging unit
0431706	External flat balcony door handle set	7mm	coated	white	2
0431708	External flat balcony door handle set	7mm	anodised	silver	2
0431718	Spindle kit 67-72mm including screws	-	-	-	1

blaugelb DGT30 Entrance Handle Set

Product information

In two parts for easy assembly, invisible fixing (spindle kit sold separately).

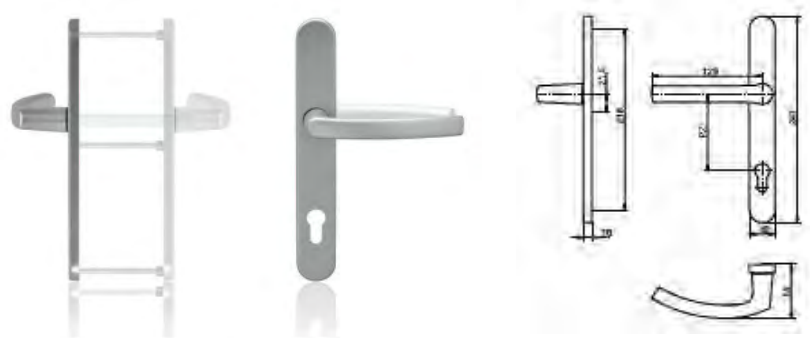


Product code	Description	Spindle	Finish	Colour	Packaging unit
0423940	Entrance handle set 30/92/8	8mm	coated	white	1
0423980	Entrance handle set 30/92/8	8mm	anodised	silver	1
0424005	Entrance handle set 30/92/8	8mm	stainless steel	fine matt	1
0424156	Spindle kit 67-72mm including screws	-	-	-	1

blaugelb DGT30 Entrance Handle - Internal Only

Product information

Internal handle with invisible fixing (spindle kit sold separately).

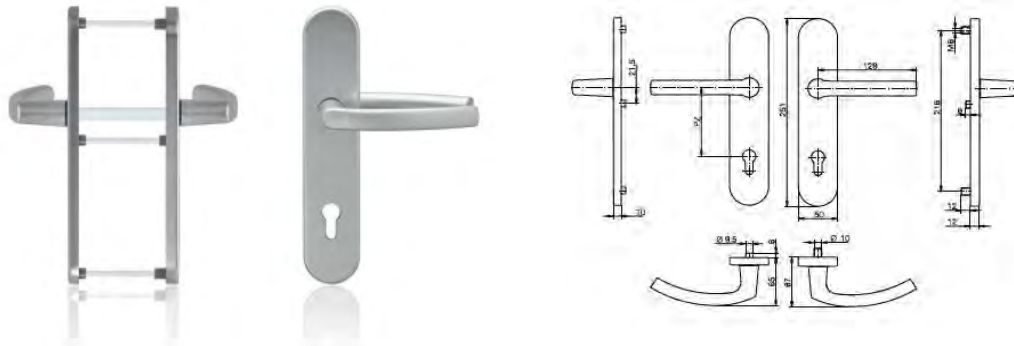


Product code	Description	Spindle	Finish	Colour	Packaging unit
0424063	Entrance handle set 30/92/8	8mm	coated	white	1
0424067	Entrance handle set 30/92/8	8mm	anodised	silver	1
0424081	Entrance handle set 30/92/8	8mm	stainless steel	fine matt	1
0337807	Half spindle kit 100mm	-	-	-	1
9035822	Spreading cams including M5x25 screws	-	-	-	1

blaugelb DGT50 Entrance Handle Set

Product information

In two parts for easy assembly, invisible fixing. Spindle kit sold separately.

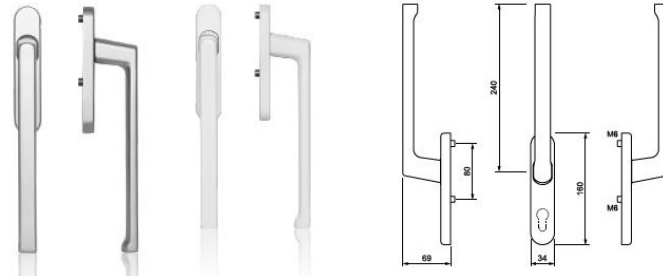


Product code	Description	Spindle	Finish	Colour	Packaging unit
0423978	Entrance handle set 50/92/8	8mm	coated	white	1
0423983	Entrance handle set 50/92/8	8mm	anodised	silver	1
0424009	Entrance handle set 50/92/8	8mm	stainless steel	fine matt	1
0424171	Spindle kit 67-72mm including screws	-	-	-	1

blaugelb HSG 1040 Lift & Slide Handle

Product information

Invisible fixing, supplied with spindle kit. Suitable for door thickness 60-70mm.

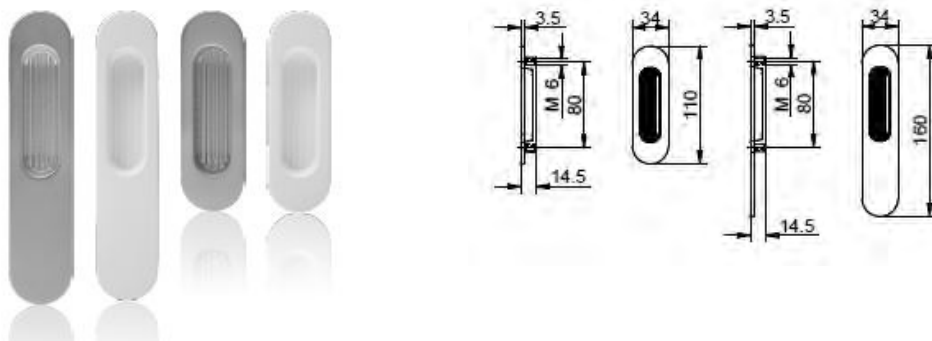


Product code	Description	Position	Spindle	Finish	Colour	Packaging unit
9071099	HSG 1040 handle inner - without perforation	internal	10 x 95mm	coated	9016 white	1
9071100	HSG 1040 handle inner - without perforation	internal	10 x 95mm	anodised	F1 silver	1
9071663	HSG 1040 handle inner - without perforation	internal	10 x 95mm	anodised	F9 steel	1
9071102	HSG 1040 handle inner - with perforation	internal	10 x 95mm	coated	9016 white	1
9071103	HSG 1040 handle inner - with perforation	internal	10 x 95mm	anodised	F1 silver	1
9071674	HSG 1040 handle inner - with perforation	internal	10 x 95mm	anodised	F9 steel	1
9071111	HSG 1040 handle outer	external	10 x 95mm	coated	9016 white	1
9071112	HSG 1040 handle outer	external	10 x 95mm	anodised	F1 silver	1
9071677	HSG 1040 handle outer	external	10 x 95mm	anodised	F9 steel	1
9016528	Spindle set 70-80mm	-	-	-	-	1

blaugelb Lift & Slide Flush Pulls

Product information

Invisible fixing, screws included, two sizes available.

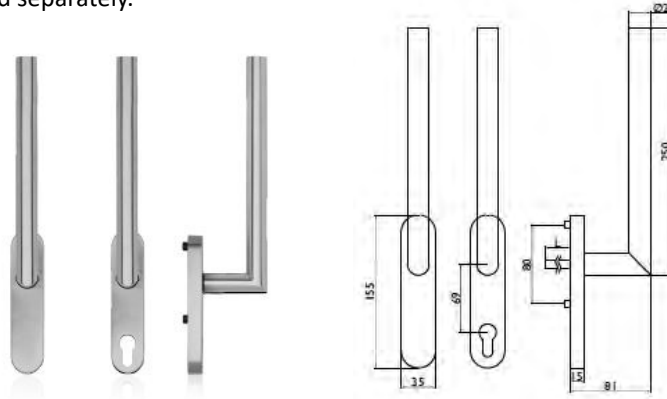


Product code	Description	Size	Finish	Colour	Packaging unit
9071117	HSG 1040 flush pull oval - short	110 x 34 x 14.5mm	coated	9016 white	1
9071118	HSG 1040 flush pull oval - short	110 x 34 x 14.5mm	anodised	F1 silver	1
9071679	HSG 1040 flush pull oval - short	110 x 34 x 14.5mm	anodised	F9 steel	1
9071979	HSG 1040 flush pull oval - long	160 x 34 x 14.5mm	coated	9016 white	1
9071980	HSG 1040 flush pull oval - long	160 x 34 x 14.5mm	anodised	F1 silver	1
9072195	HSG 1040 flush pull oval - long	160 x 34 x 14.5mm	anodised	F9 steel	1

blaugelb HSG 1010 Lift & Slide Handle

Product information

Invisible fixing, spindle kit supplied separately.

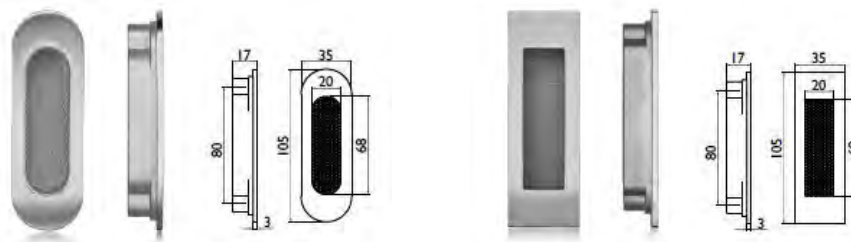


Product code	Description	Spindle	Finish	Colour	Packaging unit
9016519	HS 1010 handle inner SS	10mm	stainless steel	fine matt	1
9016520	HS 1010 handle outer SS	10mm	stainless steel	fine matt	1
9016528	HS spindle kit 70-80mm including screws	160mm	-	-	1
9016529	HS spindle kit 81-90mm including screws	160mm	-	-	1

blaugelb Lift & Slide Flush Pulls

Product information

Invisible fixing, screws not included.

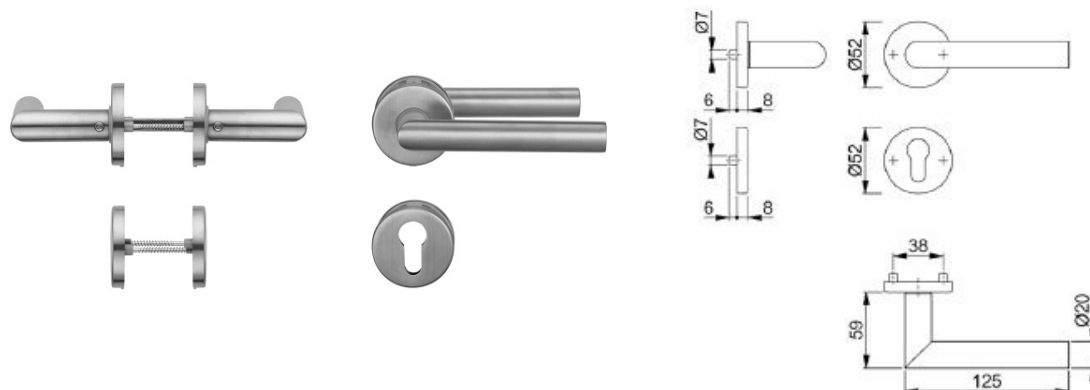


Product code	Description	Depth	Finish	Colour	Packaging unit
9016526	HS flush pull round SS	17mm	stainless steel	fine matt	1
9016527	HS flush pull square SS	17mm	stainless steel	fine matt	1

blaugelb DGT 90° Internal Handle Set

Product information

For interior door with a thickness between 37-42mm, easy assembly with invisible fixing. Rosette height 8mm.

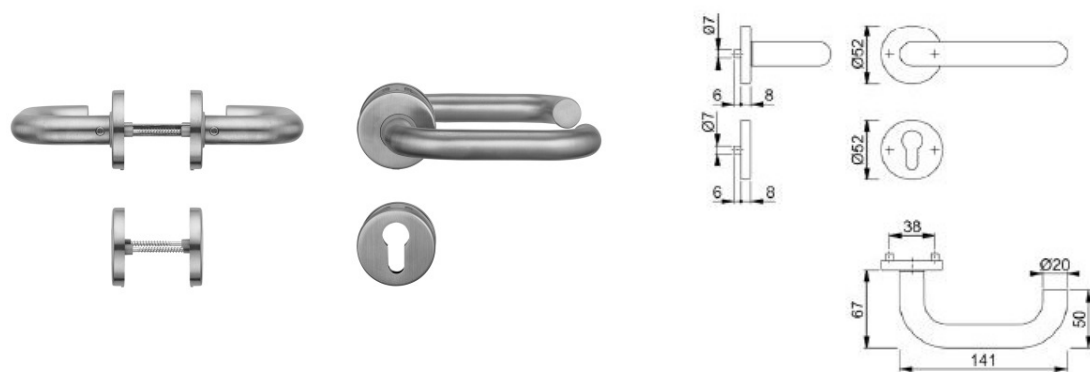


Product code	Description	Spindle	Finish	Colour	Packaging unit
9066266	Internal handle set - DGT 90°	8mm	stainless steel	fine matt	1

blaugelb DGT U Internal Handle Set

Product information

For interior door with a thickness between 37-42mm, easy assembly with invisible fixing. Rosette height 8mm.

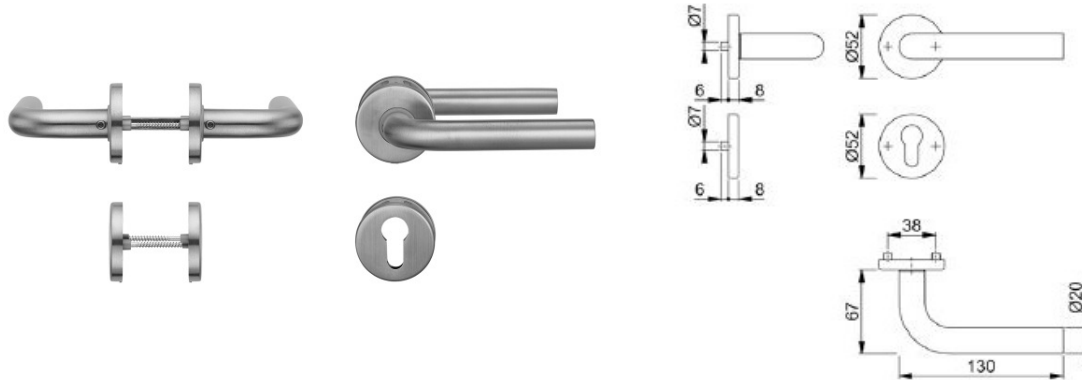


Product code	Description	Spindle	Finish	Colour	Packaging unit
9066259	Internal handle set - DGT U	8mm	stainless steel	fine matt	1

blaugelb DGT L Internal Handle Set

Product information

For interior door with a thickness between 37-42mm, easy assembly with invisible fixing. Rosette height 8mm.

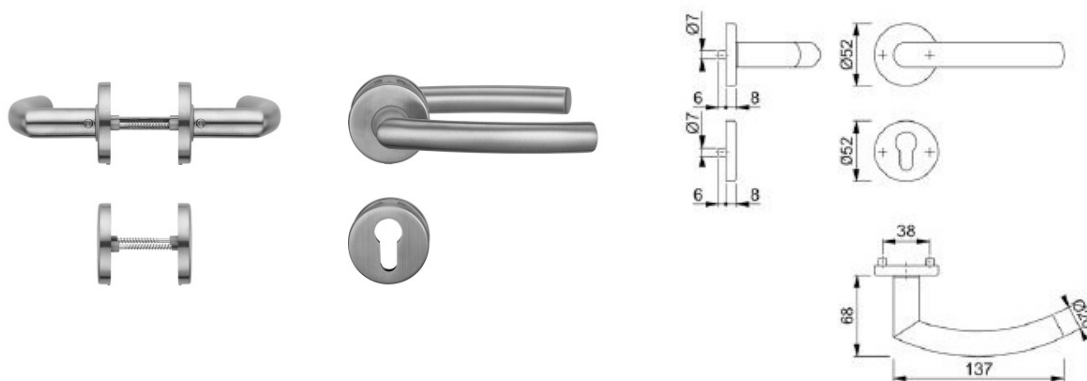


Product code	Description	Spindle	Finish	Colour	Packaging unit
9066193	Internal handle set - DGT L	8mm	stainless steel	fine matt	1

blaugelb DGT 1758 Internal Handle Set

Product information

For interior door with a thickness between 37-42mm, easy assembly with invisible fixing. Rosette height 8mm.

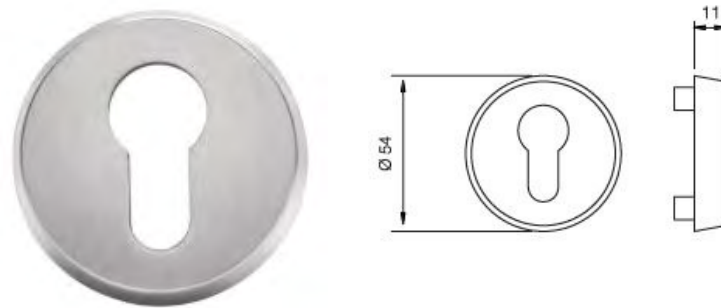


Product code	Description	Spindle	Finish	Colour	Packaging unit
9066187	Internal handle set - DGT U	8mm	stainless steel	fine matt	1

blaugelb External Round Escutcheon

Product information

Invisible fix round external escutcheon, screws included.

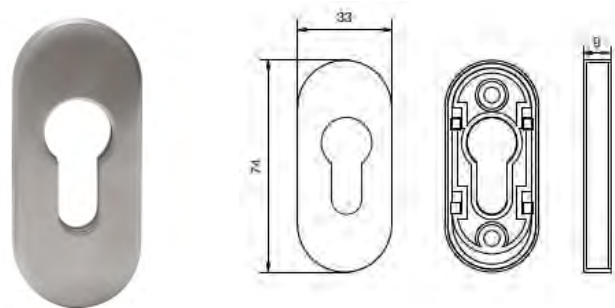


Product code	Description	Width	Finish	Colour	Packaging unit
0413771	Escutcheon PZ external round SS	54mm	stainless steel	fine matt	5

blaugelb Internal Oval Escutcheon

Product information

Invisible fix oval internal escutcheon, screws not included.

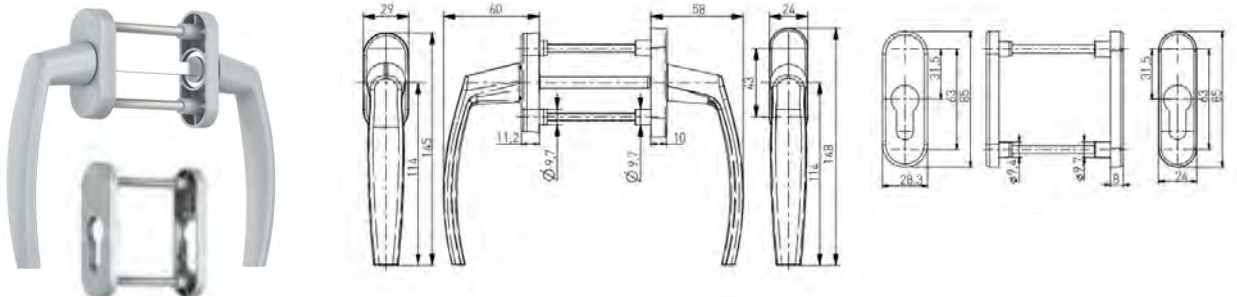


Product code	Description	Length	Finish	Colour	Packaging unit
0417611	Escutcheon PZ internal oval SS	74mm	stainless steel	fine matt	20

Medos Victory Balcony Handle

Product information

Mounting screws and spindle supplied.

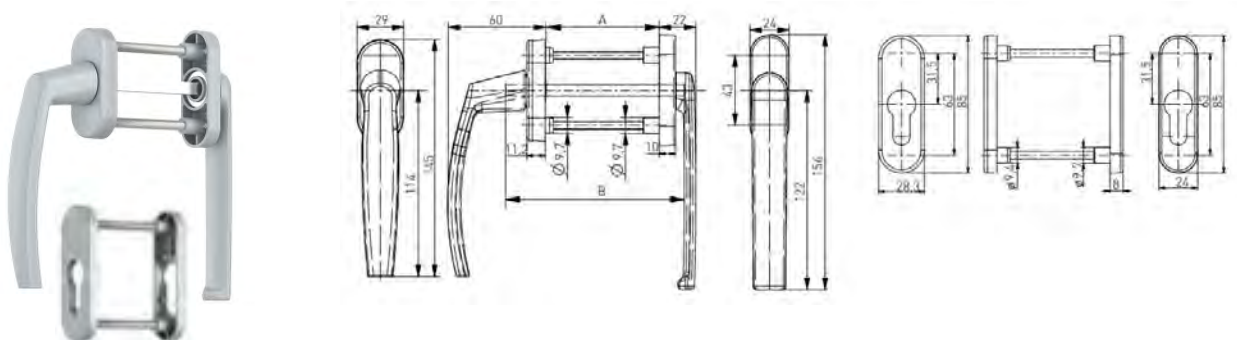


Product code	Description	Spindle	Finish	Colour	Packaging unit
19190160090	Balcony handle with rosette	8 x 117mm	coated	9016 white	1 set
19180770090	Balcony handle with rosette	8 x 117mm	coated	8077 brown	1 set
1919005M0090	Balcony handle with rosette	8 x 117mm	coated	9005 black	1 set
191SILV0090	Balcony handle with rosette	8 x 117mm	coated	silver	1 set

Medos Victory Flat Balcony Handle

Product information

Mounting screws and spindle supplied.

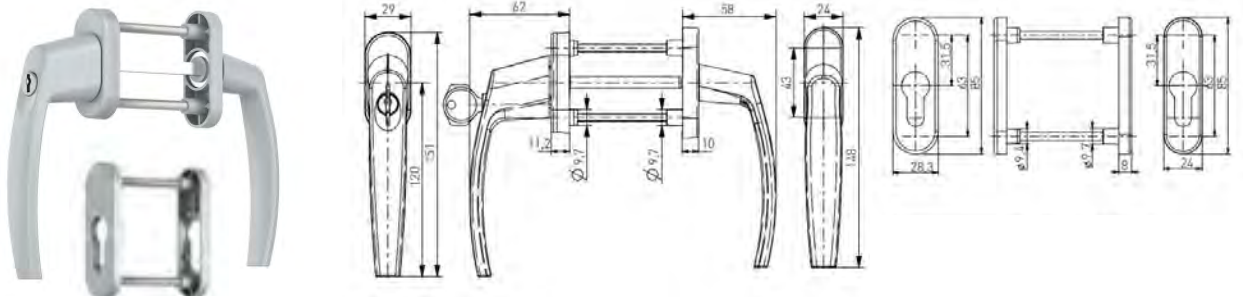


Product code	Description	Spindle	Finish	Colour	Packaging unit
19290160090	Flat balcony handle with rosette	8 x 117mm	coated	9016 white	1 set
19280770090	Flat balcony handle with rosette	8 x 117mm	coated	8077 brown	1 set
1929005M0090	Flat balcony handle with rosette	8 x 117mm	coated	9005 black	1 set
192SILV0090	Flat balcony handle with rosette	8 x 117mm	coated	silver	1 set

Medos Victory Lockable Balcony Handle

Product information

Mounting screws and spindle supplied.

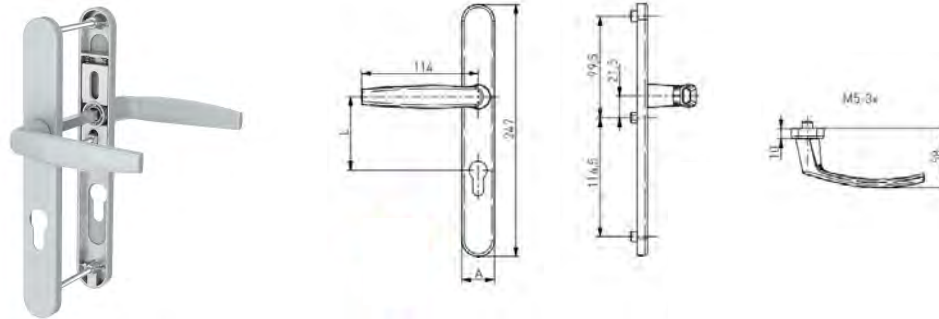


Product code	Description	Spindle	Finish	Colour	Packaging unit
19390160090	Lockable balcony handle with rosette	8 x 117mm	coated	9016 white	1 set
19380770090	Lockable balcony handle with rosette	8 x 117mm	coated	8077 brown	1 set
1939005M0090	Lockable balcony handle with rosette	8 x 117mm	coated	9005 black	1 set
193SILV0090	Lockable balcony handle with rosette	8 x 117mm	coated	silver	1 set

Medos Victory Entrance Handle

Product information

Mounting screws and spindle supplied, faceplate width 32mm.

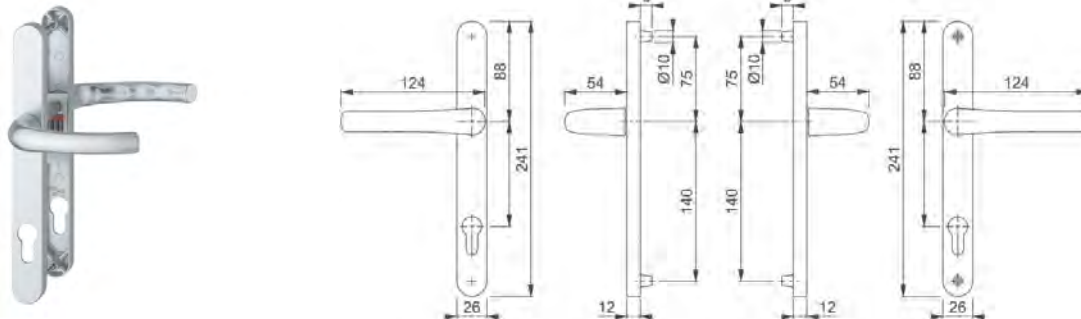


Product code	Description	Spindle	PZ	Finish	Colour	Packaging unit
18190163292	Entrance handle	8 x 128mm	92mm	coated	9016 white	1 set
18180773292	Entrance handle	8 x 128mm	92mm	coated	8077 brown	1 set
1819005M3292	Entrance handle	8 x 128mm	92mm	coated	9005 black	1 set
181SILV3292	Entrance handle	8 x 128mm	92mm	coated	silver	1 set

Hoppe Tokyo Entrance Handle

Product information

Screws and spindle supplied to suit 67-72mm door thickness.

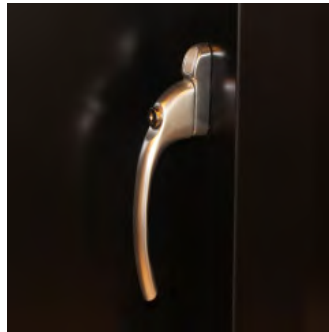


Product code	Description	Spindle	Faceplate size	Finish	Colour	Packaging unit
HPENT1SL	Internal/external entrance lever handle set	8mm	26mm	anodised	silver	20
HPENT1WH	Internal/external entrance lever handle set	8mm	26mm	coated	white	20
HPENT1BLK	Internal/external entrance lever handle set	8mm	26mm	coated	black	20
HPENT1BRN	Internal/external entrance lever handle set	8mm	26mm	coated	brown	20
HPENT1GLD	Internal/external entrance lever handle set	8mm	26mm	anodised	gold	20

Hoppe Tokyo Outward Opening Lockable Handle

Product information

17mm escutcheon width, and 43mm screw centres.



Product code	Description	Spindle	Finish	Colour	Packaging unit
HPOUT1SL	Hoppe inline outward opening handle	7 x 40mm	anodised	silver	50
HPOUT1WH	Hoppe inline outward opening handle	7 x 40mm	coated	white	50
HPOUT1BLK	Hoppe inline outward opening handle	7 x 40mm	coated	black	50

Siegware Sliding D Handle

Product information

With 43mm screw centres, individual parts sold separately for greater flexibility.



Product code	Description	Finish	Colour	Packaging unit
SWHGSTDWHT	Handle grip standard	coated	9016 white	1
SWHGSTDBLK	Handle grip standard	coated	9005 black	1
SWHGSTD SIL	Handle grip standard	anodised	F1 silver	1
SWHGSLMWHT	Handle grip slim-line	coated	9016 white	1
SWHGSLMBLK	Handle grip slim-line	coated	9005 black	1
SWHGSLMSIL	Handle grip slim-line	anodised	F1 silver	1
SWEXFPTTWHT	External faceplate with thumbturn	coated	9016 white	1
SWEXFPTTBLK	External faceplate with thumbturn	coated	9005 black	1
SWEXFPTTSIL	External faceplate with thumbturn	anodised	F1 silver	1
SWINFPTTWHT	Internal faceplate with thumbturn	coated	9016 white	1
SWINFPTTBLK	Internal faceplate with thumbturn	coated	9005 black	1
SWINFPTTSIL	Internal faceplate with thumbturn	anodised	F1 silver	1
SWEXFPWHT	External faceplate without thumbturn	coated	9016 white	1
SWEXFPBLK	External faceplate without thumbturn	coated	9005 black	1
SWEXFPSIL	External faceplate without thumbturn	anodised	F1 silver	1
SWINFPWHT	Internal faceplate without thumbturn	coated	9016 white	1
SWINFPBLK	Internal faceplate without thumbturn	coated	9005 black	1
SWINFPSIL	Internal faceplate without thumbturn	anodised	F1 silver	1
SWSLESWHT	Escutcheon set	coated	9016 white	1
SWSLESBLK	Escutcheon set	coated	9005 black	1
SWSLESSIL	Escutcheon set	anodised	F1 silver	1
SWSPKITWHT	Spindle & screw set	-	white	1
SWSPKITBLK	Spindle & screw set	-	black	1
SWSPKITSIL	Spindle & screw set	-	silver	1

Siegenia Concealed Sliding Handle

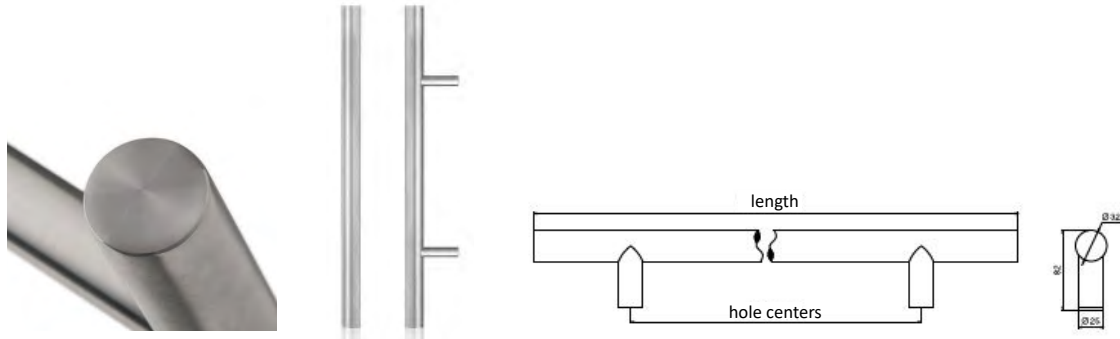


Product code	Description	Spindle	Finish	Colour	Packaging unit
PHID0030-001010	Flush sliding handle	25mm	coated	cream	25
PHID0030-025010	Flush sliding handle	25mm	anodised	silver	25
PHID0030-023010	Flush sliding handle	25mm	coated	black	25
PHID0090-004060	Flush sliding handle	23mm	coated	white	25

blaugelb Round Pull Bar - 90 deg Support

Product information

Door handle with 90° straight support made of stainless steel, suitable for a one-sided door or for mounting in pairs on doors. Consists of a stainless steel tube with a diameter of 32 mm, available in a variety of lengths.

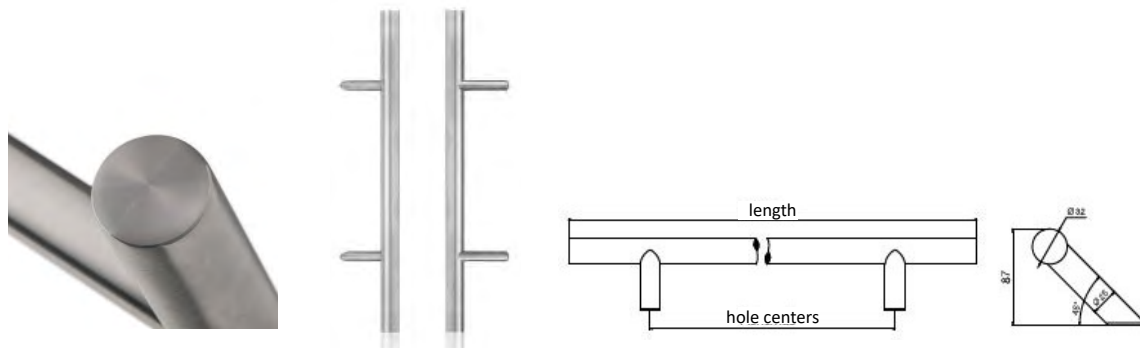


Product code	Description	Length	Hole Dimension	Material	Finish
0421851	Round pull bar - 90 deg support	400mm	200mm	stainless steel	fine matt
0421855	Round pull bar - 90 deg support	800mm	600mm	stainless steel	fine matt
0421857	Round pull bar - 90 deg support	1200mm	1000mm	stainless steel	fine matt
0421859	Round pull bar - 90 deg support	1600mm	1400mm	stainless steel	fine matt

blaugelb Round Pull Bar - 45 deg Support

Product information

Stainless steel door handle with 45° inclined support, suitable for a one-sided door or for mounting in pairs on doors. Consists of a stainless steel tube with a diameter of 32 mm, available in a variety of lengths.

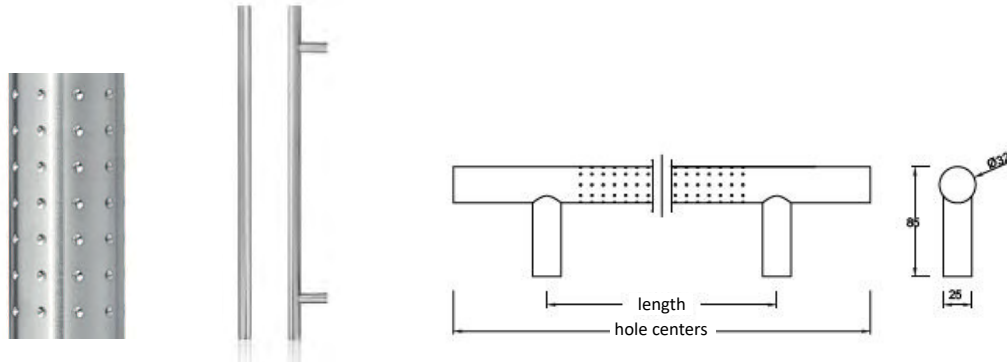


Product code	Description	Length	Hole Dimension	Material	Finish
0421826	Round pull bar - 45 deg support	400mm	200mm	stainless steel	fine matt
0421843	Round pull bar - 45 deg support	800mm	600mm	stainless steel	fine matt
0421845	Round pull bar - 45 deg support	1200mm	1000mm	stainless steel	fine matt
0421847	Round pull bar - 45 deg support	1600mm	1400mm	stainless steel	fine matt

blaugelb Round Pull Bar with Mill Dots - 90 deg Support

Product information

Featuring milled points and 90° straight support made of stainless steel, the door handle is suitable for a one-sided door or for mounting in pairs on doors. Consists of a stainless steel tube with a diameter of 32 mm, available in a variety of lengths.

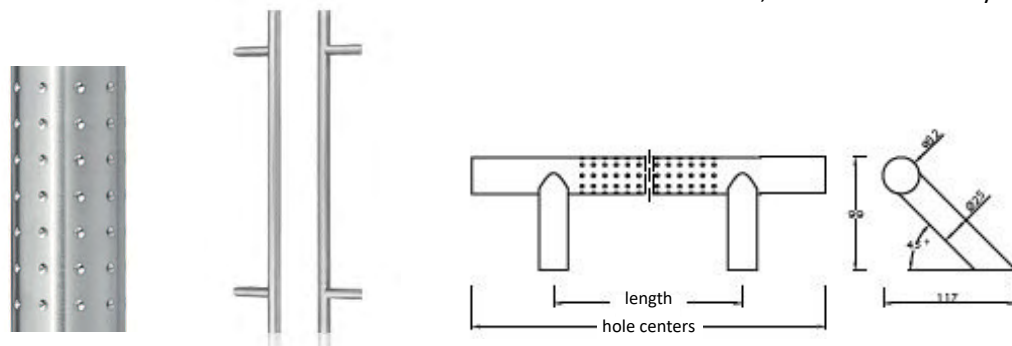


Product code	Description	Length	Hole Dimension	Material	Finish
0424952	Straight pull bar with mill dots - 90 deg support	800mm	600mm	stainless steel	fine matt
0424954	Straight pull bar with mill dots - 90 deg support	1200mm	1000mm	stainless steel	fine matt
0424956	Straight pull bar with mill dots - 90 deg support	1600mm	1400mm	stainless steel	fine matt

blaugelb Round Pull Bar with Mill Dots - 45 deg Support

Product information

Featuring milled points and 45° straight support made of stainless steel, the door handle is suitable for a one-sided door or for mounting in pairs on doors. Consists of a stainless steel tube with a diameter of 32 mm, available in a variety of lengths.

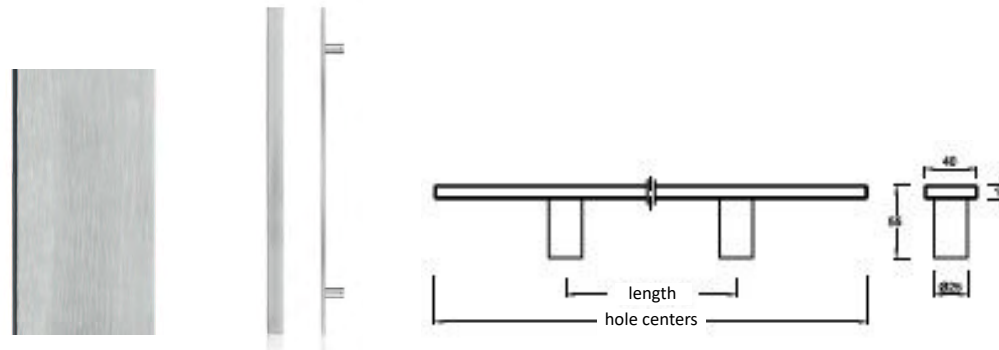


Product code	Description	Length	Hole Dimension	Material	Finish
0424904	Straight pull bar with mill dots - 45 deg support	800mm	600mm	stainless steel	fine matt
0424940	Straight pull bar with mill dots - 45 deg support	1200mm	1000mm	stainless steel	fine matt
0424942	Straight pull bar with mill dots - 45 deg support	1600mm	1400mm	stainless steel	fine matt

blaugelb Flat Pull Handle - 90 deg Support

Product information

Stainless steel door handle with 90° straight support features a flat front view, suitable for a one-sided door or for mounting in pairs on doors.

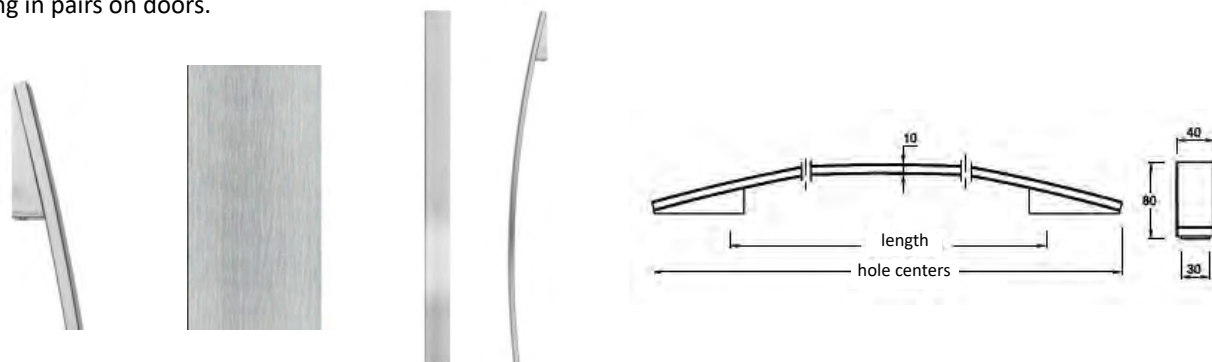


Product code	Description	Length	Hole Dimension	Material	Finish
0424963	Flat pull bar - 90 deg support	800mm	600mm	stainless steel	fine matt
0424965	Flat pull bar - 90 deg support	1200mm	1000mm	stainless steel	fine matt

blaugelb Curved Flat Pull Handle - 90 deg Support

Product information

Stainless steel curved door handle with 90° straight support features a flat front view, suitable for a one-sided door or for mounting in pairs on doors.

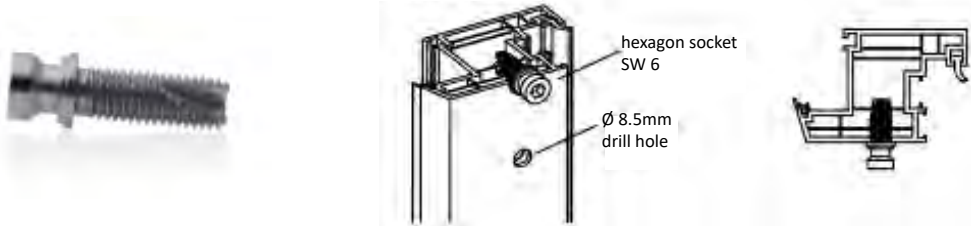


Product code	Description	Length	Hole Dimension	Material	Finish
0424966	Curved flat pull bar	1000mm	840mm	stainless steel	fine matt

blaugelb Fixing Kit for Pull Handle - Single Sided

Product information

For single sided invisible fixing on timber and uPVC doors. The fastening set is made of hardened, galvanized steel and is very easy to install due to its hexagon socket and self-tapping application.



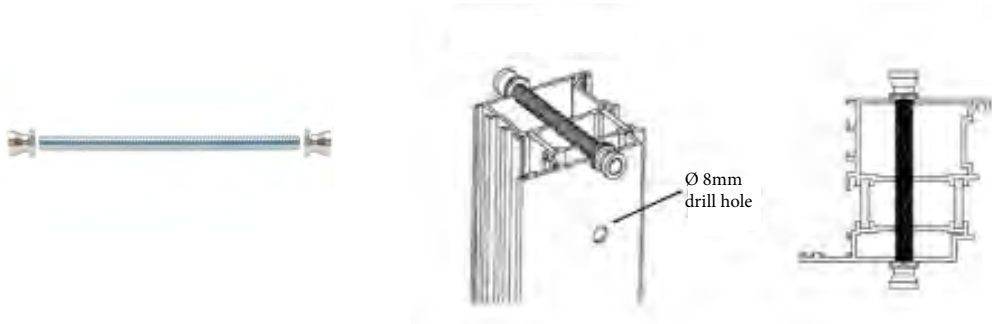
Product code	Material	System	Fixing of handle	Packaging unit
9071855	Galvanised steel / brass	uPVC	single sided	1 set
10400000012	Galvanised steel / brass	timber	single sided	1 set

blaugelb Fixing Kit for Pull Handle - Double Sided

Product information

The blaugelb adapters T02 are used for continuous fastening of door handles on uPVC, timber and metal doors. In conjunction with the blaugelb threaded rod M8x120 mm, which is adapted to the door thickness, the blaugelb door handles can be mounted on both sides of the blaugelb adapter T02. A conventional open-ended spanner with a key size 13 can be used to tighten the blaugelb adapter T02 onto the door.

Door thickness up to 80 or 95mm, for 1 pair handles with 4 fixing points.



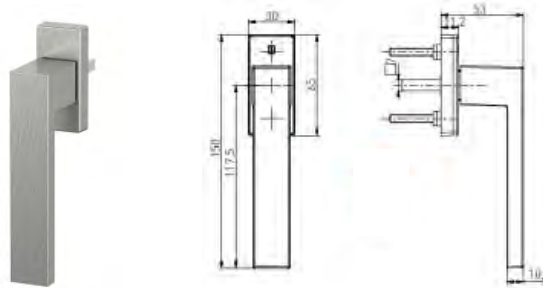
Product code	Material	Quantity	Packaging unit
0428045	T02 adapter	1 pair	1 set
0428046	T02 all thread	1 pair	1 set



Medos Dublin Tilt & Turn Handle

Product information

43mm hole centres, screws supplied.

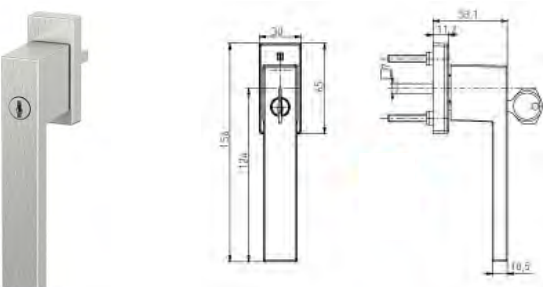


Product code	Description	Spindle	Finish	Colour	Packaging unit
16090164090PM	Tilt & turn handle	7 x 40mm	powder coated	9016 white	12
16080774090PM	Tilt & turn handle	7 x 40mm	powder coated	8077 brown	12
1609005M4090PM	Tilt & turn handle	7 x 40mm	powder coated	9005M black	12
160F90054090SD	Tilt & turn handle	7 x 40mm	sandblasted - anodised	9005F black	12
160F14090SD	Tilt & turn handle	7 x 40mm	sandblasted - anodised	F1 silver	12
160F14090BD	Tilt & turn handle	7 x 40mm	brushed - anodised	F1 silver	12
160F90054090BD	Tilt & turn handle	7 x 40mm	brushed - anodised	9005 black	12
160F64090BD	Tilt & turn handle	7 x 40mm	brushed - anodised	F6 stainless	12

Medos Dublin Tilt & Turn Lockable Handle

Product information

43mm hole centres, screws supplied.



Product code	Description	Spindle	Finish	Colour	Packaging unit
16190164090	Tilt & turn handle - lockable	7 x 40mm	powder coated	9016 white	12
16180774090PM	Tilt & turn handle - lockable	7 x 40mm	powder coated	8077 brown	12
1619005M4090PM	Tilt & turn handle - lockable	7 x 40mm	powder coated	9005M black	12
161F14090SD	Tilt & turn handle - lockable	7 x 40mm	sandblasted - anodised	F1 silver	12
161F90054090SD	Tilt & turn handle - lockable	7 x 40mm	sandblasted - anodised	9005F black	12
161F14090BD	Tilt & turn handle - lockable	7 x 40mm	brushed - anodised	F1 silver	12
161F90054090BD	Tilt & turn handle - lockable	7 x 40mm	brushed - anodised	9005 black	12
161F64090BD	Tilt & turn handle - lockable	7 x 40mm	brushed - anodised	F6 stainless	12

Siegenia Si-Line Tilt & Turn Handle

Product information

43mm screw centres (screws not included).



Product code	Description	Spindle	Finish	Colour	Packaging unit
853818	Handle Si-Line tilt & turn 35	7 x 35mm	coated	cream	100
853856	Handle Si-Line tilt & turn 35	7 x 35mm	coated	white	100
869055	Handle Si-Line tilt & turn 35	7 x 35mm	anodised	silver	100
869086	Handle Si-Line tilt & turn 35	7 x 35mm	anodised	gold	100
895986	Handle Si-Line tilt & turn 35	7 x 35mm	coated	black/brown	100

Siegenia Si-Line Tilt & Turn Lockable Handle

Product information

43mm screw centres, and one key included (screws not included).



Product code	Description	Spindle	Finish	Colour	Packaging unit
862575	Handle Si-Line tilt & turn lock	7 x 35mm	coated	white	10
880647	Handle Si-Line tilt & turn lock	7 x 35mm	anodised	silver	10

Siegenia Si-Line Tilt Before Turn Lockable Handle

Product information

43mm screw centres, and one key included (screws not included).



Product code	Description	Spindle	Finish	Colour	Packaging unit
873724	Handle Si-Line tilt before turn lock	7 x 35mm	coated	white	10
880272	Handle Si-Line tilt before turn lock	7 x 35mm	anodised	silver	10

Siegenia Si-Line Balcony Set

Product information

Spindle kit to be purchased separately.



Product code	Description	Finish	Colour	Packaging unit
871379	Handle Si-Line balcony set	anodised	silver	10
871423	Handle Si-Line balcony set	coated	white	10
ZMZP0010	Spindle kit for 75-84mm profile	-	-	1
ZMZP0020	Spindle kit for 65-74mm profile	-	-	1

Siegenia Si-Line PSK Balcony Set

Product information

Coated and anodised finishes, and 43mm screw centres (spindle and screw pack to be purchased separately).



Product code	Description	Finish	Colour	Packaging unit
262191	Tilt & slide balcony set	anodised	silver	1
262214	Tilt & slide balcony set	coated	white	1
306819	Tilt & slide balcony set	coated	black/brown	1
ZMZP0010	Spindle kit for 75-84mm profile (includes screws)	-	-	1
ZMZP0020	Spindle kit for 65-74mm profile (includes screws)	-	-	1

Siegenia Si-Line Entrance Handle

Product information

92mm PZ distance, screws and spindle supplied.



Product code	Description	Spindle	Faceplate size	Finish	Colour	Packaging unit
DHGT0010-0K5020	Si-Line entrance handle	8mm	26mm	coated	white	1
DHGT0010-023020	Si-Line entrance handle	8mm	26mm	coated	black	1
DHGT0010-0K7020	Si-Line entrance handle	8mm	26mm	coated	silver	1

Siegenia Si-Line Internal Lift & Slide Handle without PZ

Product information

Internal handle without PZ key cutout, spindle included.



Product code	Description	Finish	Colour	Packaging unit
PMHB0030-502010	Handle Si-Line internal	coated	white	1
PMHB0030-524010	Handle Si-Line internal	anodised	silver	1

Siegenia Si-Line Lift & Slide Handle Set without PZ

Product information

Internal handle without PZ key cutout, external recessed pull handle, spindle included.



Product code	Description	Finish	Colour	Packaging unit
PMHB0010-502010	Handle Si-Line internal with flush pull	coated	white	1
PMHB0010-512010	Handle Si-Line internal with flush pull	coated	black/brown	1
PMHB0010-525010	Handle Si-Line internal with flush pull	coated	silver	1
PMHB0010-524010	Handle Si-Line internal with flush pull	anodised	silver	1

Siegenia Si-Line Lift & Slide Handle Set with PZ

Product information

Internal handle with PZ key cutout, external recessed pull handle, spindle included.



Product code	Description	Finish	Colour	Packaging unit
PMHB0020-502010	Handle Si-Line internal with flush pull	coated	white	1
PMHB0020-512010	Handle Si-Line internal with flush pull	coated	black/brown	1
PMHB0020-525010	Handle Si-Line internal with flush pull	coated	silver	1
PMHB0020-524010	Handle Si-Line internal with flush pull	anodised	silver	1
PMHB0020-523010	Handle Si-Line internal with flush pull	coated	black	1

Siegenia Si-Line External Lift & Slide Handle with PZ

Product information

External handle with PZ key cutout, no spindle included.



Product code	Description	Finish	Colour	Packaging unit
PMHB0040-502010	Handle Si-Line external	coated	white	1
PMHB0040-512010	Handle Si-Line external	coated	black/brown	1
PMHB0040-525010	Handle Si-Line external	coated	silver	1
PMHB0040-524010	Handle Si-Line external	anodised	silver	1
PMHB0040-523010	Handle Si-Line external	coated	black	1

Siegenia Si-Line Internal Lift & Slide Handle with PZ

Product information

Internal handle with PZ key cutout, short and long spindle included.



Product code	Description	Finish	Colour	Packaging unit
PMHB0050-502010	Handle Si-Line internal	coated	white	1
PMHB0050-512010	Handle Si-Line internal	coated	black/brown	1
PMHB0050-525010	Handle Si-Line internal	coated	silver	1
PMHB0050-524010	Handle Si-Line internal	anodised	silver	1
PMHB0050-523010	Handle Si-Line internal	coated	black	1

Siegenia Portal Flush Pull Handle

Product information

Lift and slide internal flush pull, spindle included.

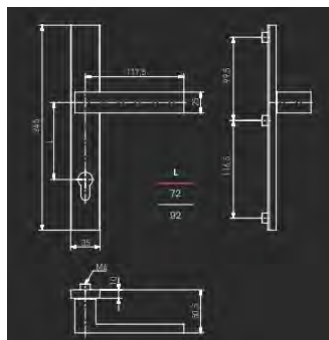


Product code	Description	Finish	Colour	Packaging unit
PHIB0050-012010	Handle flush pull internal	coated	black	1
PHIB0050-025010	Handle flush pull internal	anodised	silver	1
PHIB0050-002010	Handle flush pull internal	coated	white	1

Medos Dublin 35 Entrance Handle

Product information

Mounting screws and spindle supplied, faceplate width 35mm.

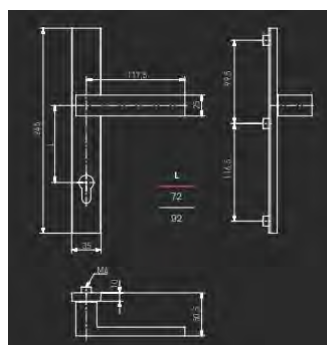
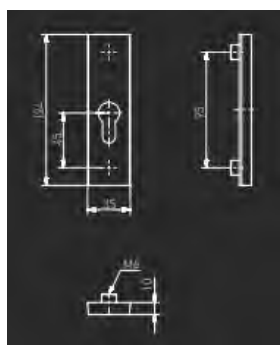


Product code	Description	PZ	Spindle	Finish	Colour	Packaging unit
10DUB392F1B	Entrance handle set	92mm	8 x 128mm	brushed - anodised	F1 silver	1 set
10DUB392F6B	Entrance handle set	92mm	8 x 128mm	brushed - anodised	stainless	1 set
10DUB392F9005B	Entrance handle set	92mm	8 x 128mm	brushed - anodised	9005 black	1 set

Medos Dublin 35 Entrance Rosette Handle

Product information

Mounting screws and spindle supplied, faceplate width 35mm.



Product code	Description	PZ	Spindle	Finish	Colour	Packaging unit
40DUB392F1B	Entrance handle & rosette set	92mm	8 x 128mm	brushed - anodised	F1 silver	1 set
40DUB392F6B	Entrance handle & rosette set	92mm	8 x 128mm	brushed - anodised	stainless	1 set
40DUB392F9005B	Entrance handle & rosette set	92mm	8 x 128mm	brushed - anodised	9005 black	1 set

Hoppe Toulon Tilt & Turn Handle

Product information

Cam diameter 10mm, pin protuding 32-42mm, with concealed fixing.



Product code	Description	Spindle	Colour	Packaging unit
10787880	Tilt & turn handle	7 x 37mm	F1 silver	1
11586837	Tilt & turn handle	7 x 37mm	white	1
11797253	Tilt & turn handle	7 x 37mm	black	1

Hoppe Toulon Door Handle

Product information

Cam diameter 10mm, pin protuding 32-42mm, with concealed fixing.



Product code	Description	Spindle	Colour	Packaging unit
10764792	Door handle	7 x 37mm	F1 silver	1
10764848	Door handle	7 x 37mm	9016 white	1
11506246	Door handle	7 x 37mm	black	1

Hoppe Toulon Tilt Before Turn Handle

Product information

Cam diameter 10mm, pin protuding 32mm, with concealed fixing.



Product code	Description	Spindle	Colour	Packaging unit
3937860	Tilt before turn handle	7 x 37mm	F1 silver	1
11682802	Tilt before turn handle	7 x 37mm	black	1
3938037	Tilt before turn handle	7 x 37mm	white	1

Note: Special order

Hoppe Toulon Entrance Handle

Product information

Suitable for door thickness 68-77mm, spindle size 8mm, and hole distance 92mm.



Product code	Description	Spindle	PZ	Colour	Packaging unit
11600238	Entrance door handle	8mm	92mm	F1 silver	1
11600287	Entrance door handle	8mm	92mm	white	1
11645295	Entrance door handle	8mm	92mm	black	1

Hoppe Toulon Lift-Slide Handle

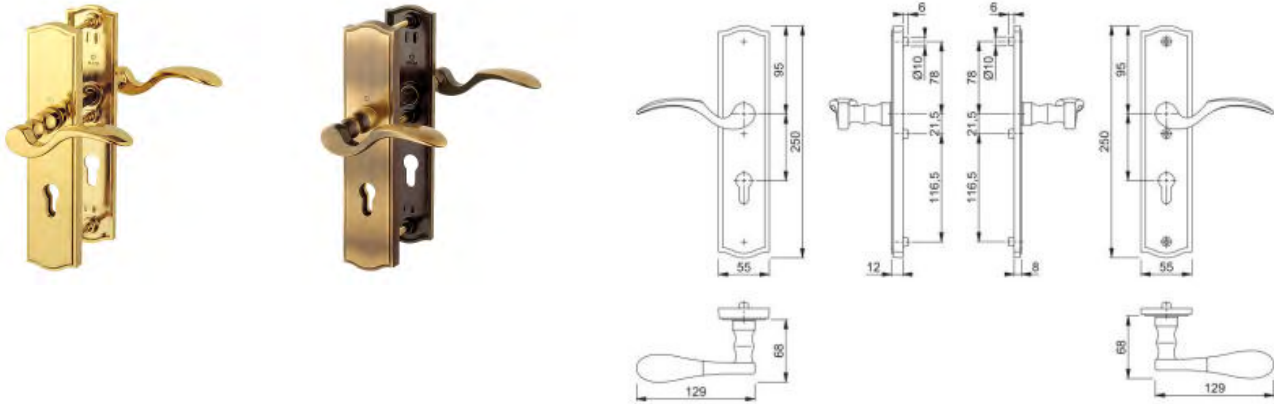
Product information
Hole spacing 69mm, suitable for door thickness between 75-80mm.



Product code	Description	Spindle	Colour	Packaging unit
11600238	Lift-slide handle	10mm	F1 silver	1
11600287	Lift-slide handle	10mm	white	1
11645295	Lift-slide handle	10mm	black	1

Hoppe Meran Handle

Product information
Suitable for door thickness between 67- 72mm, with 55mm faceplate.

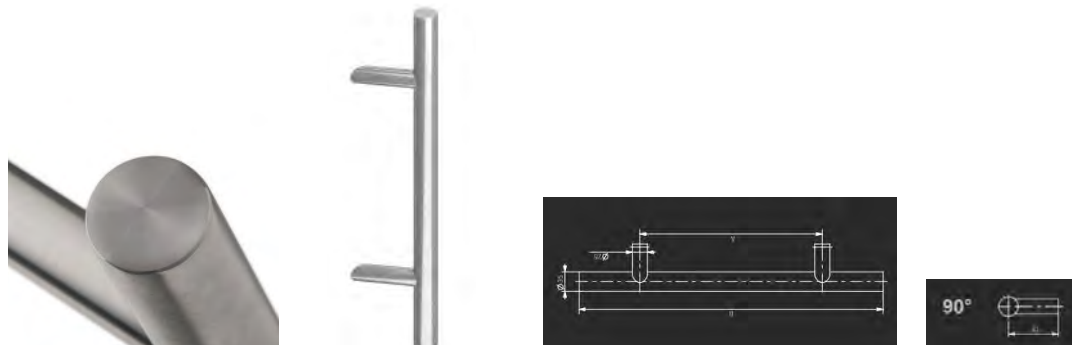


Product code	Description	Spindle	PZ	Colour	Packaging unit
HPMERANPB	Entrance handle	8mm	92mm	polished brass	1
HPMERANBB	Entrance handle	8mm	92mm	burnished brass	1

Medos Paris Round Pull Bar - 90 deg Support

Product information

Door handle with 90° straight support made of extruded and machined aluminium, suitable for a one-sided door or for mounting in pairs on doors. Anodised and brushed finish with a diameter of 35mm, available in a variety of lengths.

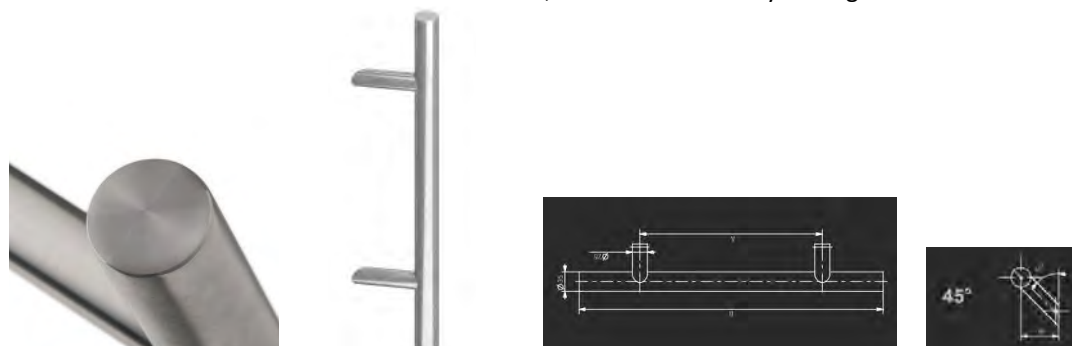


Product code	Description	Length	Hole Dimension	Finish	Colour
104PF150080090B	Round pull bar - 90 deg support	800mm	500mm	brushed - anodised	F1 silver
104PF650080090B	Round pull bar - 90 deg support	800mm	500mm	brushed - anodised	F6 stainless
104PF900550080090B	Round pull bar - 90 deg support	800mm	500mm	brushed - anodised	F9005 black
104PF1800120090B	Round pull bar - 90 deg support	1200mm	800mm	brushed - anodised	F1 silver
104PF6800120090B	Round pull bar - 90 deg support	1200mm	800mm	brushed - anodised	F6 stainless
104PF9005800120090B	Round pull bar - 90 deg support	1200mm	800mm	brushed - anodised	F9005 black
104PF11000170090B	Round pull bar - 90 deg support	1700mm	1000mm	brushed - anodised	F1 silver
104PF61000170090B	Round pull bar - 90 deg support	1700mm	1000mm	brushed - anodised	F6 stainless
104PF90051000170090B	Round pull bar - 90 deg support	1700mm	1000mm	brushed - anodised	F9005 black

Medos Paris Round Pull Bar - 45 deg Support

Product information

Door handle with 45° support made of extruded and machined aluminium, suitable for a one-sided door or for mounting in pairs on doors. Anodised and brushed finish with a diameter of 35mm, available in a variety of lengths.

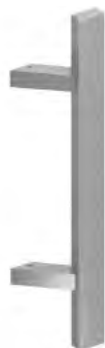


Product code	Description	Length	Hole Dimension	Finish	Colour
104PF150080045B	Round pull bar - 45 deg support	800mm	500mm	brushed - anodised	F1 silver
104PF650080045B	Round pull bar - 45 deg support	800mm	500mm	brushed - anodised	F6 stainless
104PF900550080045B	Round pull bar - 45 deg support	800mm	500mm	brushed - anodised	F9005 black
104PF1800120045B	Round pull bar - 45 deg support	1200mm	800mm	brushed - anodised	F1 silver
104PF6800120045B	Round pull bar - 45 deg support	1200mm	800mm	brushed - anodised	F6 stainless
104PF9005800120045B	Round pull bar - 45 deg support	1200mm	800mm	brushed - anodised	F9005 black
104PF11000170045B	Round pull bar - 45 deg support	1700mm	1000mm	brushed - anodised	F1 silver
104PF61000170045B	Round pull bar - 45 deg support	1700mm	1000mm	brushed - anodised	F6 stainless
104PF90051000170045B	Round pull bar - 45 deg support	1700mm	1000mm	brushed - anodised	F9005 black

Medos Lisbon Flat Pull Bar - 90 deg Support

Product information

Flat door handle with 90° straight support made of extruded and machined aluminium, suitable for a one-sided door or for mounting in pairs on doors. Flat stainless steel bar 20 x 40mm with an anodised and brushed finish, available in a variety of lengths.

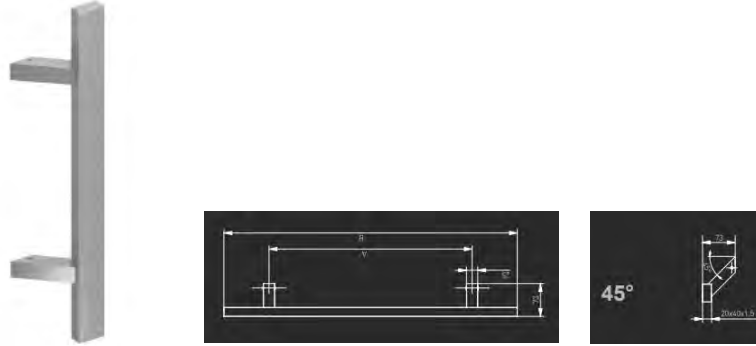


Product code	Description	Length	Hole Dimension	Finish	Colour
104LF150080090B	Flat pull bar - 90 deg support	800mm	500mm	brushed - anodised	F1 silver
104LF650080090B	Flat pull bar - 90 deg support	800mm	500mm	brushed - anodised	F6 stainless
104LF900550080090B	Flat pull bar - 90 deg support	800mm	500mm	brushed - anodised	F9005 black
104LF1800120090B	Flat pull bar - 90 deg support	1200mm	800mm	brushed - anodised	F1 silver
104LF6800120090B	Flat pull bar - 90 deg support	1200mm	800mm	brushed - anodised	F6 stainless
104LF9005800120090B	Flat pull bar - 90 deg support	1200mm	800mm	brushed - anodised	F9005 black
104LF11000170090B	Flat pull bar - 90 deg support	1700mm	1000mm	brushed - anodised	F1 silver
104LF61000170090B	Flat pull bar - 90 deg support	1700mm	1000mm	brushed - anodised	F6 stainless
104LF90051000170090B	Flat pull bar - 90 deg support	1700mm	1000mm	brushed - anodised	F9005 black

Medos Lisbon Flat Pull Bar - 45 deg Support

Product information

Flat door handle with 45° support made of extruded and machined aluminium, suitable for a one-sided door or for mounting in pairs on doors. Flat stainless steel bar 20 x 40mm with an anodised and brushed finish, available in a variety of lengths.

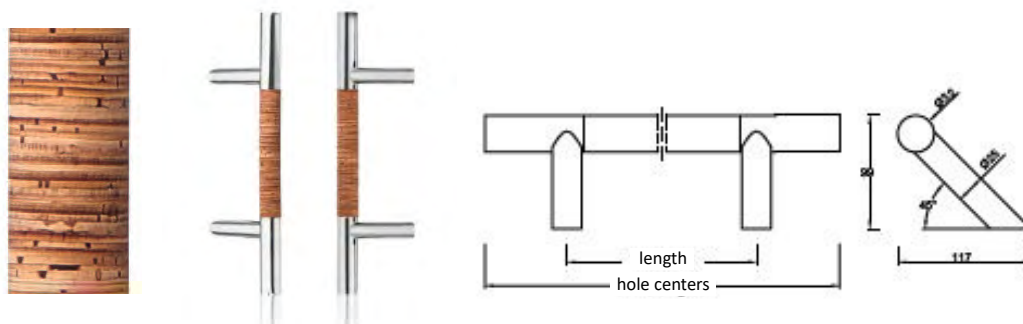


Product code	Description	Length	Hole Dimension	Finish	Colour
104LF150080045B	Flat pull bar - 45 deg support	800mm	500mm	brushed - anodised	F1 silver
104LF650080045B	Flat pull bar - 45 deg support	800mm	500mm	brushed - anodised	F6 stainless
104LF900550080045B	Flat pull bar - 45 deg support	800mm	500mm	brushed - anodised	F9005 black
104LF1800120045B	Flat pull bar - 45 deg support	1200mm	800mm	brushed - anodised	F1 silver
104LF6800120045B	Flat pull bar - 45 deg support	1200mm	800mm	brushed - anodised	F6 stainless
104LF9005800120045B	Flat pull bar - 45 deg support	1200mm	800mm	brushed - anodised	F9005 black
104LF11000170045B	Flat pull bar - 45 deg support	1700mm	1000mm	brushed - anodised	F1 silver
104LF61000170045B	Flat pull bar - 45 deg support	1700mm	1000mm	brushed - anodised	F6 stainless
104LF90051000170045B	Flat pull bar - 45 deg support	1700mm	1000mm	brushed - anodised	F9005 black

blaugelb Round Pull Handle with Birch Inlay - 45 deg Support

Product information

Stainless steel pull handle with 45° inclined support features a birch inlay. Suitable for a one-sided door or for mounting in pairs on doors.

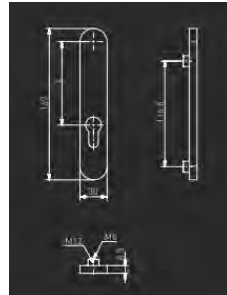


Product code	Description	Length	Hole Dimension	Material	Finish
0424973	Round pull bar with birch inlay - 45 deg support	800mm	600mm	stainless steel	fine matt

Medos Sofia Door Rosette

Product information

Door rosette available in three finishes.

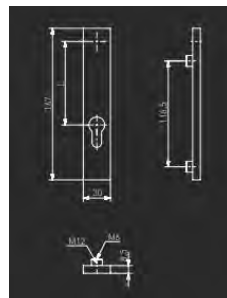


Product code	Description	Length	Width	Finish	Colour
50S292F1B	Door rosette set	167mm	30mm	brushed - anodised	F1 silver
50S292F6B	Door rosette set	167mm	30mm	brushed - anodised	F6 INOX
50S292F9005B	Door rosette set	167mm	30mm	brushed - anodised	F9005 black

Medos Riga Door Rosette

Product information

Door rosette available in three finishes.



Product code	Description	Length	Width	Finish	Colour
70R292F1B	Door rosette set	167mm	30mm	brushed - anodised	F1 silver
70R292F6B	Door rosette set	167mm	30mm	brushed - anodised	F6 INOX
70R292F9005B	Door rosette set	167mm	30mm	brushed - anodised	F9005 black

Medos Single Sided Fixing Screws

Product information

Pair of fixing screws for single sided pull bar handle. Suitable for 90° and 45° pull bar handles.



Product code	Description	System	Packaging unit
10400004500	Pull bar handle screw set - 2 pcs	uPVC	1 set
10400000012	Pull bar handle screw set - 2 pcs	timber	1 set

Medos Double Sided Fixing Screws

Product information

Pair of fixing screws for pull bar handle. Suitable for double side pull bar handles.



Product code	Description	Packaging unit
11400000010	Pull bar handle screw set - 2 pcs	1 set

FSB 1004 Handle Range

Product information

Available on special order only, price on application.



Features concealed fixing. Varied locking options available with select handle styles.

Choice of material:

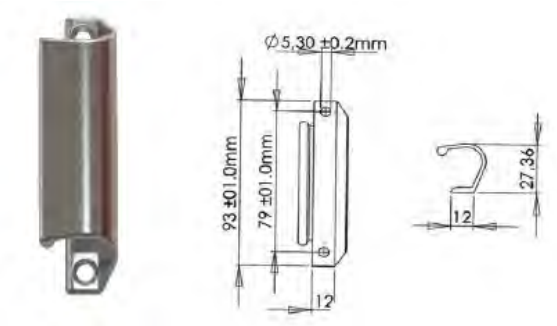
- aluminium
- solid brass
- stainless steel
- with a range of anodised and coated colour options
- in 'lightly patinated' or 'dark oxidized, waxed' finish
- in satin or polished



IMAT Patio Pull Handle - Type C

Product information

Coated and anodised finishes, and 79mm screw centres.

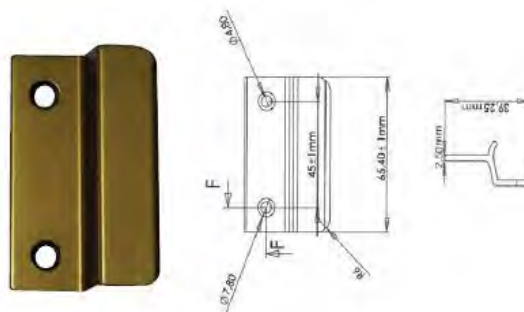


Product code	Description	Length	Colour	Packaging unit
IMCPATPUL9016	Coated patio pull handle - Type C	93mm	white	10
IMCPATPUL9005	Coated patio pull handle - Type C	93mm	black	10
IMCPATPULEF01	Anodised patio pull handle - Type C	93mm	silver	10

IMAT Patio Pull Handle - Type H

Product information

Coated and anodised finishes, and 45mm screw centres.

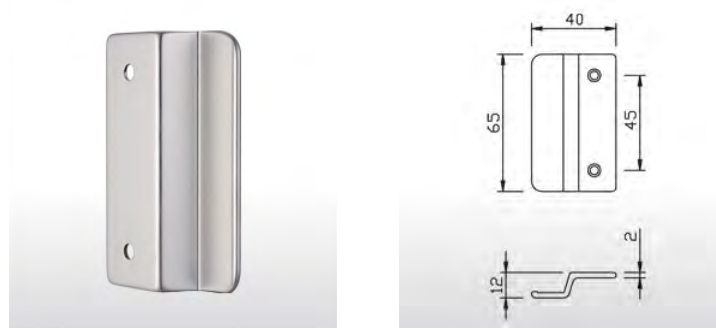


Product code	Description	Length	Colour	Packaging unit
IMHPATPUL9016	Coated patio pull handle - Type H	65mm	white	10
IMHPATPUL9005	Coated patio pull handle - Type H	65mm	black	10
IMHPATPULEF01	Anodised patio pull handle - Type H	65mm	silver	10

greenteQ Patio Pull Handle - Type 2

Product information

For balcony and terrace doors made of wood or uPVC.

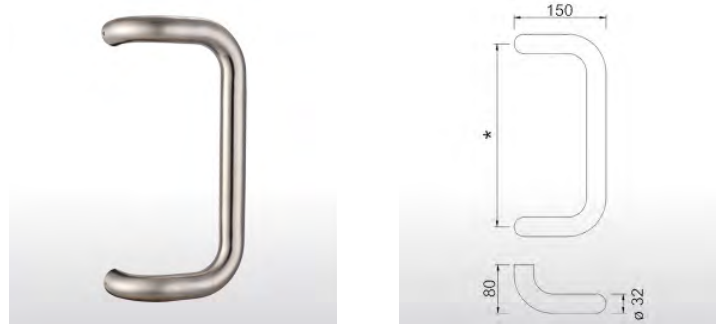


Product code	Description	Material	Colour / Finish	Packaging unit
GTPATPUL-WHT	External pull handle for patio doors	aluminium	white coated	1
GTPATPUL-SIL	External pull handle for patio doors	aluminium	silver anodized	1

greenteQ U Style Pull Handle

Product information

For single or double sided use, on interior and exterior doors, diameter of handle 32mm, fixing system BA 15 not included.

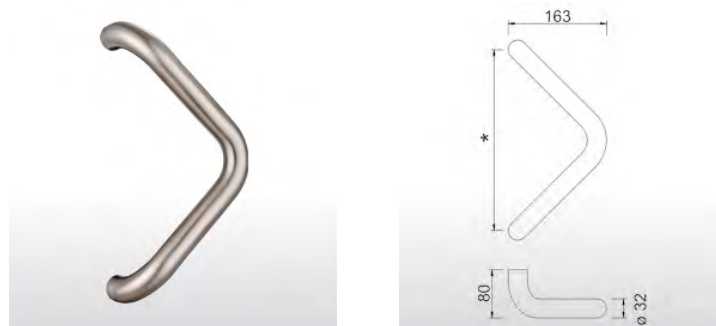


Product code	Description	Dimension between axes	Finish
GTUP332SS	'U' style pull bar for key operated doors	300mm	matt brushed

greenteQ V Style Pull Handle

Product information

For single or double sided use, on interior and exterior doors, diameter of handle 32mm, fixing system BA 15 not included.

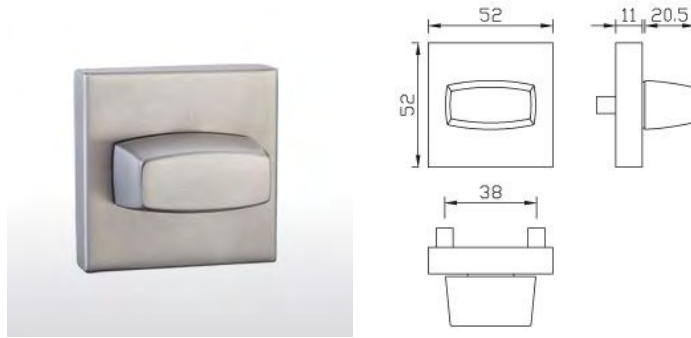


Product code	Description	Dimension between axes	Finish
GTVP332SS	'V' style pull bar for key operated doors	300mm	matt brushed

greenteQ Rotary Knob Handle

Product information

Mounted on rectangular rosette, two screws M4 x 50mm and adaptable spindle with rocker (8 x 60mm) included.

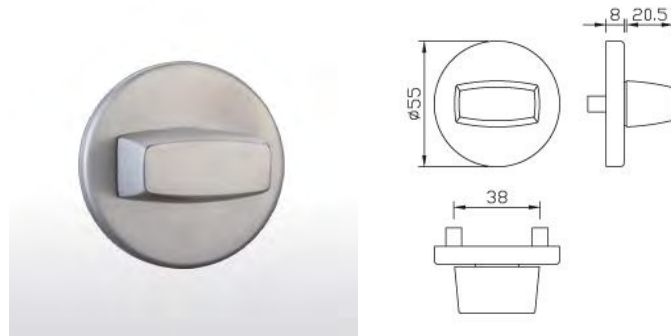


Product code	Description	Cam diameter	Cam clearance	Material	Packaging unit
GTSRK1SS	Rotary knob with rectangular rosette 52 x 52mm	7mm	38mm	stainless steel	10

greenteQ Rotary Knob Handle

Product information

Mounted on circular rosette, two screws M4 x 50mm and adaptable spindle with rocker (8 x 60mm) included.



Product code	Description	Cam diameter	Cam clearance	Material	Packaging unit
GTRRK1SS	Rotary knob with circular rosette 55mm diameter	7mm	38mm	stainless steel	10

Siegware

53 Haddon Drive
PO Box 27
Ballan Vic 3342
Australia

Ph: +61 3 5368 1181
info@siegware.com.au
www.siegware.com.au
www.siegware.co.nz

2020 edition

