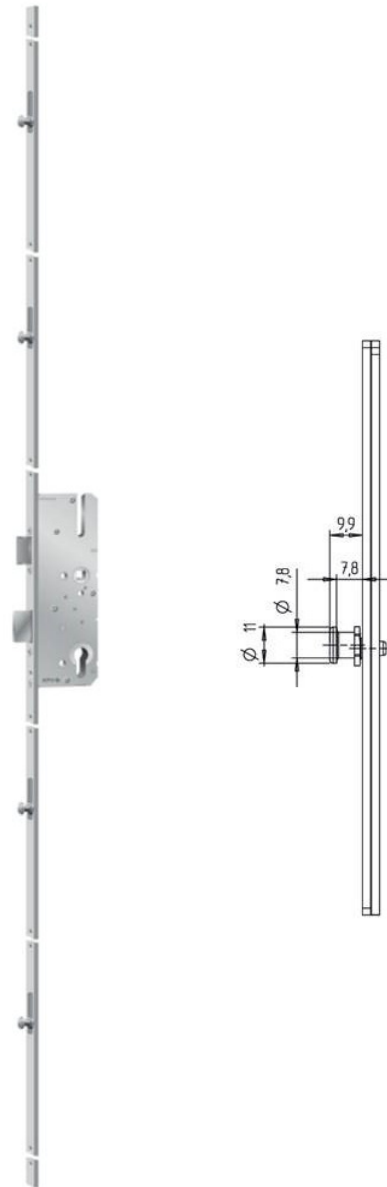


## KfV AS8100 Multi-point Lock

### Product information

Key operated, comfort mushroom (x4) multipoint lock (1020mm height from bottom to spindle).

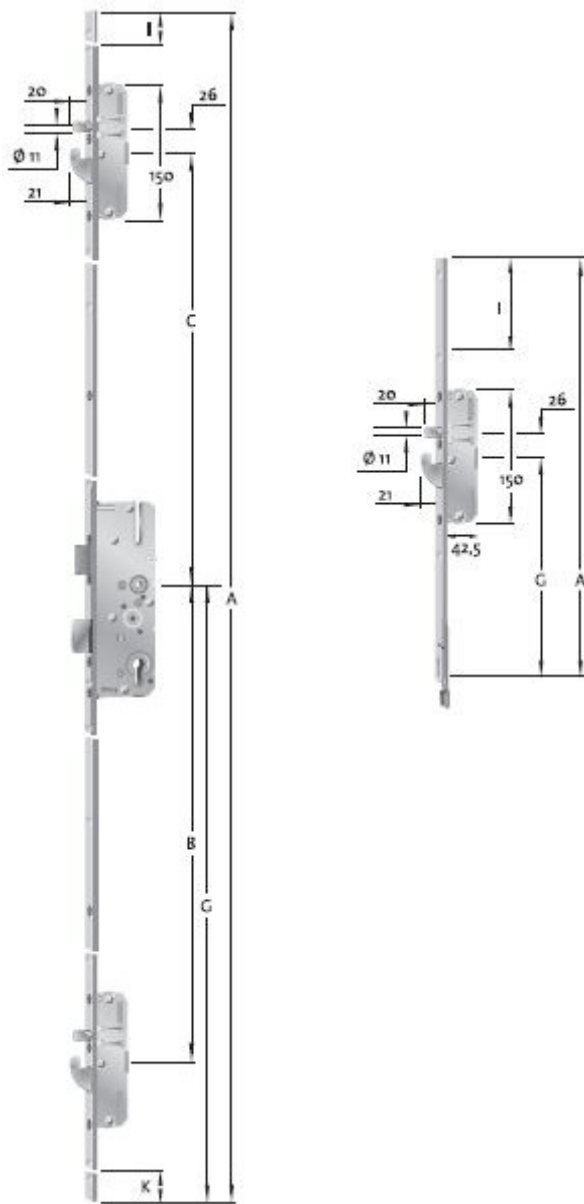


Product code	Description	Gear height (mm)	Faceplate (mm)	Backset (mm)	PZ Distance (mm)	Spindle (mm)	Packaging unit
3494514	AS8100 16/25-92 8mm	2170	16	25	92	8	5
3473267	AS8100 16/35-92 8mm	2170	16	35	92	8	5
3497710	AS8100 16/55-92 8mm	2170	16	55	92	8	5

## KFV AS2600 Multi-point Lock

### Product information

Key operated hook and pin lock with RC2 security as standard, 1020mm height from bottom to spindle.



Product code	Description	Gear height (mm)	Faceplate (mm)	Backset (mm)	PZ Distance (mm)	Spindle (mm)	Packaging unit
3453999	AS2600 16/35-92 8mm	2170	16	35	92	8	5
3434169	AS2600 16/55-92 8mm	2170	16	55	92	8	5
3467747	AS2600 additional gear lock	400	16	n/a	n/a	n/a	1

## KFV AS3600 Multi-point Lock

### Product information

Key operated hook and pin lock with RC2 security as standard, automatic locking upon closing of door, optional 'A' opener allows automated unlocking from the outside via access control systems.



Product code	Description	Gear height (mm)	Faceplate (mm)	Backset (mm)	PZ Distance (mm)	Spindle (mm)	Packaging unit
3505479	AS3600 16/35-92 8mm	2170	16	35	92	8	5
3505736	AS3600 16/55-92 8mm	2170	16	55	92	8	5
3493787	'A' opener (optional)	n/a	n/a	n/a	n/a	n/a	1
3483987	Door arrester (optional)	n/a	n/a	55	n/a	n/a	1

Note: Access control systems can be seen on Genius catalogue page

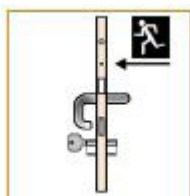
## KFV Multi-point Panic Lock

### Product information

Multi-point lock with main latch, deadbolt and two pinbolts.

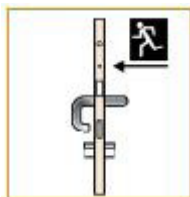


- Direction of escape can be set on the main lock for function B and D
- Suitable for fire-rated doors (minimum face plate widths of 16 mm)
- Adjustable DIN direction
- Escutcheon holes at a minimum 35 mm backset
- Can be combined with KFV standard frame parts
- DIN cylinder with and without free-running cam and/or round cylinder can be used



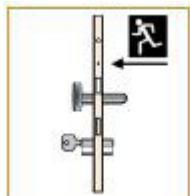
#### Change-over function B

The door can only be opened against the escape direction using the handle after it has been unlocked with the key. After the escape function has been activated, access against the escape direction is blocked once the door closes again, and it is not possible to escape back into the building.



#### Free access function D

The door can only be opened against the escape direction using the handle after it has been unlocked with the key. After the escape function has been activated, the door is accessible from both sides and it is possible to escape back against the escape direction.



#### Key-operated latch function E

The door can only be opened against the escape direction after it has been unlocked and it can only be opened with the key. After the escape function has been activated, access against the escape function is blocked once the door closes and it is not possible to escape back into the building.

Product code	Description	Function	Backset (mm)	Spindle (mm)	Packaging unit
3458448	Panic lock EP930	B	35	9	1
3466153	Panic lock EP930	D	35	9	1
3459794	Panic lock EP930	E	35	9	1
3485046	Panic lock EP930	B	55	9	1
3485047	Panic lock EP930	D	55	9	1
3485048	Panic lock EP930	E	55	9	1
3479652	Panic lock split spindle kit	n/a	n/a	9	1
3504252	Panic push bar	n/a	n/a	n/a	1

Note: Not all items are stocked, some parts available on request.

## KfV Latch Plates

### Product information

Latch plates for AS2600, AS3600 and Genius systems.

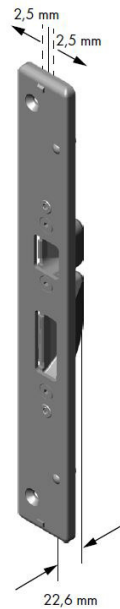


Product code	Description	Handing	Profile	System	Packaging unit
3408430	Latch plate for 92 PZ doors	right	Kommerling	uPVC	1
3367426	Latch plate for 92 PZ doors	left	Kommerling	uPVC	1
3479010	Latch plate for 92 PZ doors	right	Rehau	uPVC	1
3479011	Latch plate for 92 PZ doors	left	Rehau	uPVC	1
3482836	Latch plate for 92 PZ doors	right	Deceuninck	uPVC	1
3482837	Latch plate for 92 PZ doors	left	Deceuninck	uPVC	1
3482277	Latch plate for 92 PZ doors	right	Aluplast 4000	uPVC	1
3482278	Latch plate for 92 PZ doors	left	Aluplast 4000	uPVC	1

## KfV Hook & Pin Strikers

### Product information

Strikers for AS2600, AS3600 and Genius systems.



Product code	Description	Handing	Profile	System	Packaging unit
3478795	Hook and pin striker	right	Kommerling	uPVC	1
3478796	Hook and pin striker	left	Kommerling	uPVC	1
3479014	Hook and pin striker	right	Rehau	uPVC	1
3479015	Hook and pin striker	left	Rehau	uPVC	1
3482851	Hook and pin striker	right	Deceuninck	uPVC	1
3482852	Hook and pin striker	left	Deceuninck	uPVC	1
3482279	Hook and pin striker	right	Aluplast 4000	uPVC	1
3482280	Hook and pin striker	left	Aluplast 4000	uPVC	1

## KFV Shootbolt Striker

### Product information

Eccentric bush for adjustment.

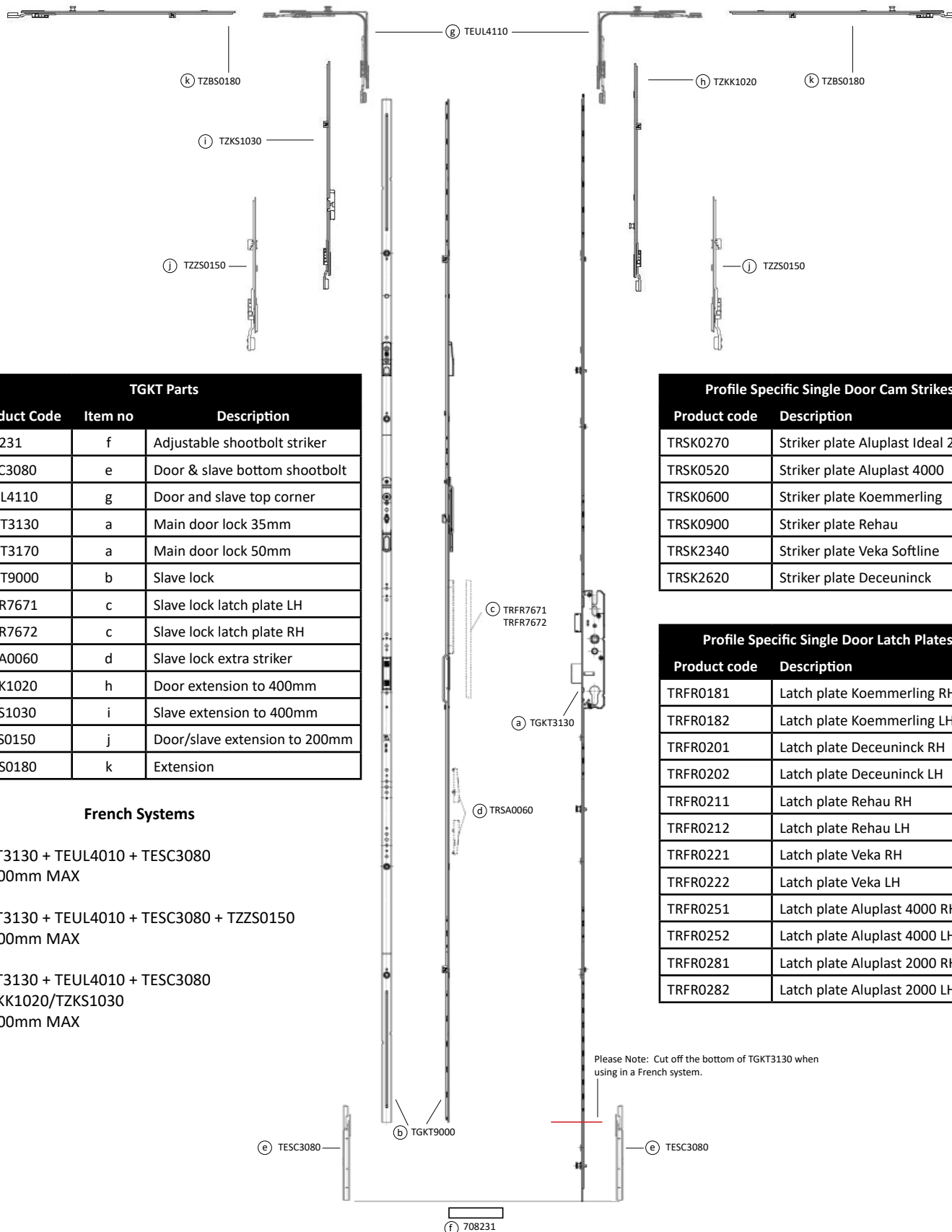


Product code	Description	Diameter (mm)	Packaging unit
3473961	Shootbolt striker drill fix	24	1

## Siegenia TGKT French Door System

### Product information

French door system with various corner drive, shoot bolt and extension options.



TGKT Parts		
Product Code	Item no	Description
708231	f	Adjustable shootbolt striker
TESC3080	e	Door & slave bottom shootbolt
TEUL4110	g	Door and slave top corner
TGKT3130	a	Main door lock 35mm
TGKT3170	a	Main door lock 50mm
TGKT9000	b	Slave lock
TRFR7671	c	Slave lock latch plate LH
TRFR7672	c	Slave lock latch plate RH
TRSA0060	d	Slave lock extra striker
TZKK1020	h	Door extension to 400mm
TZKS1030	i	Slave extension to 400mm
TZZS0150	j	Door/slave extension to 200mm
TZBS0180	k	Extension

Profile Specific Single Door Cam Strikes	
Product code	Description
TRSK0270	Striker plate Aluplast Ideal 2000
TRSK0520	Striker plate Aluplast 4000
TRSK0600	Striker plate Koemmerling
TRSK0900	Striker plate Rehau
TRSK2340	Striker plate Veka Softline
TRSK2620	Striker plate Deceuninck

Profile Specific Single Door Latch Plates	
Product code	Description
TRFR0181	Latch plate Koemmerling RH
TRFR0182	Latch plate Koemmerling LH
TRFR0201	Latch plate Deceuninck RH
TRFR0202	Latch plate Deceuninck LH
TRFR0211	Latch plate Rehau RH
TRFR0212	Latch plate Rehau LH
TRFR0221	Latch plate Veka RH
TRFR0222	Latch plate Veka LH
TRFR0251	Latch plate Aluplast 4000 RH
TRFR0252	Latch plate Aluplast 4000 LH
TRFR0281	Latch plate Aluplast 2000 RH
TRFR0282	Latch plate Aluplast 2000 LH

### French Systems

TGKT3130 + TEUL4010 + TESC3080  
= 2100mm MAX

TGKT3130 + TEUL4010 + TESC3080 + TZZS0150  
= 2300mm MAX

TGKT3130 + TEUL4010 + TESC3080  
+ TZKK1020/TZKS1030  
= 2500mm MAX

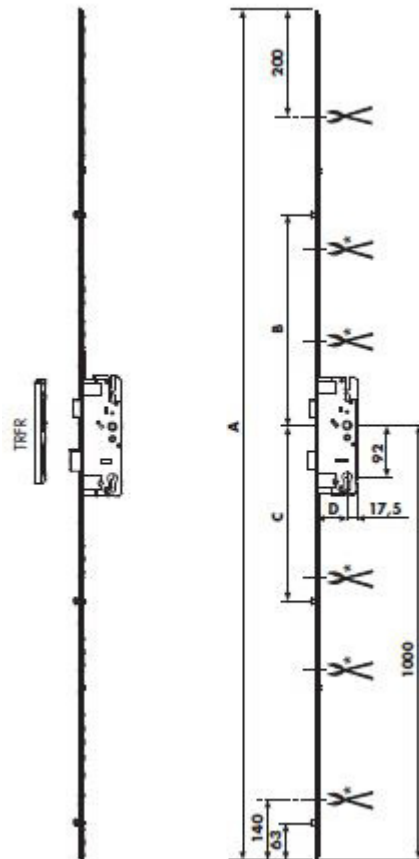
Please Note: Cut off the bottom of TGKT3130 when using in a French system.



## Siegenia TGKT Door Gear

### Product information

Handle operated entrance door gear with deadbolt, 8mm spindle and 92 PZ.



### TITAN Silver Coating

#### Dimensions (mm)

Product code	Description	A	B	C	D	Cams	Screws	Packaging unit
TGKT3110-100010	Door gear DB 28/92/8	1960	460	311	28	3	8	5
TGKT3130-100010	Door gear DB 35/92/8	1960	460	311	35	3	8	5
TGKT3170-100010	Door gear DB 50/92/8	1960	460	311	50	3	8	5

### E-LOOK Coastal Coating

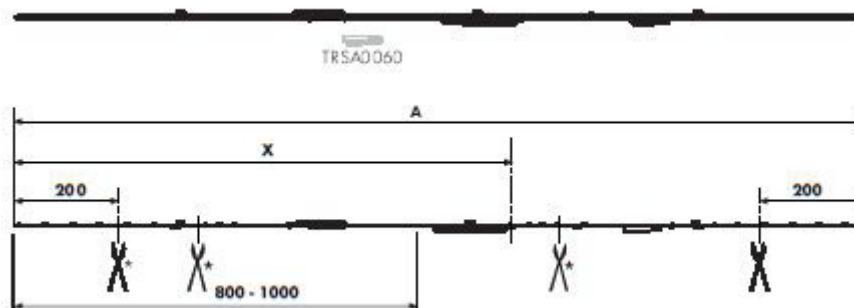
#### Dimensions (mm)

Product code	Description	A	B	C	D	Cams	Screws	Packaging unit
TGKT3110-200010	Door gear DB 28/92/8	1960	460	311	28	3	8	5
TGKT3130-200010	Door gear DB 35/92/8	1960	460	311	35	3	8	5
TGKT3170-200010	Door gear DB 50/92/8	1960	460	311	50	3	8	5

## Siegenia TGKT 9000 Secondary Lock

### Product information

Secondary gear for TGKT French system.



### TITAN Silver Coating

Product code	Description	Dimensions (mm)				
		A	X	Strikers	Screws	Packaging unit
TGKT9000-100010	Slave lock	1820	1140	1	7	5
TRSA0060-100010	Slave lock extra striker	-	-	-	-	25

### E-LOOK Coastal Coating

Product code	Description	Dimensions (mm)				
		A	X	Strikers	Screws	Packaging unit
TGKT9000-200010	Slave lock	1820	1140	1	7	5
TRSA0060-100010	Slave lock extra striker	-	-	-	-	25

## Siegenia TGKT Door Latch Plate

### Product information

Latch plates for 12mm timber and French systems.



Product code	Description	Side	System	Profile	Packaging unit
TRFR7671	TGKT door latch plate	right	slave	gear mount	25
TRFR7672	TGKT door latch plate	left	slave	gear mount	25

## Siegenia TGKT Door Latch Plate - uPVC

### Product information

Latch plates for uPVC profiles.

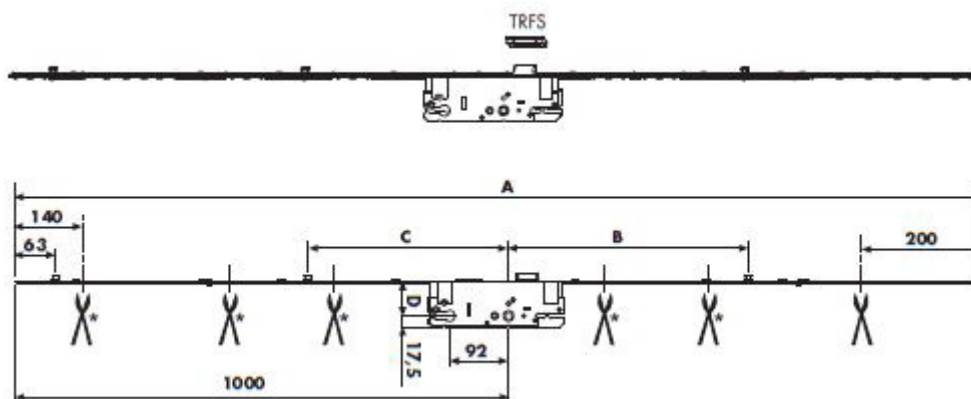


Product code	Description	Side	System	Profile	Packaging unit
TRFR0181	TGKT door latch plate	right	uPVC	Kommerling	25
TRFR0182	TGKT door latch plate	left	uPVC	Kommerling	25
TRFR0201	TGKT door latch plate	right	uPVC	Deceuninck	25
TRFR0202	TGKT door latch plate	left	uPVC	Deceuninck	25
TRFR0211	TGKT door latch plate	right	uPVC	Rehau	25
TRFR0212	TGKT door latch plate	left	uPVC	Rehau	25
TRFR0221	TGKT door latch plate	right	uPVC	Veka	25
TRFR0222	TGKT door latch plate	left	uPVC	Veka	25
TRFR0251	TGKT door latch plate	right	uPVC	Aluplast 4000	25
TRFR0252	TGKT door latch plate	left	uPVC	Aluplast 4000	25
TRFR0281	TGKT door latch plate	right	uPVC	Aluplast 2000	25
TRFR0282	TGKT door latch plate	left	uPVC	Aluplast 2000	25

## Siegenia TGKT Door Gear - No Deadbolt

### Product information

Handle operated entrance door gear without deadbolt. 8mm spindle and 92 PZ.



Product code	Description	Dimensions (mm)				Screws	Packaging unit
		A	B	C	D		
TGKT3030-100010	Door gear DB 35/92/8	1960	460	311	35	8	5
TGKT3070-100010	Door gear DB 50/92/8	1960	460	311	50	8	5