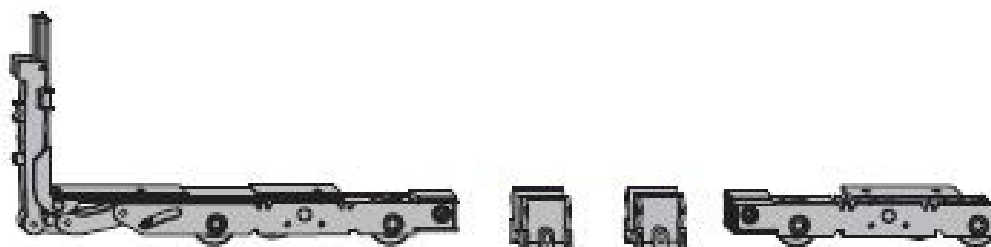


## Siegenia HS150 Basic Carton

### Product information

Lift and slide bogie wheels for up to 150kg.

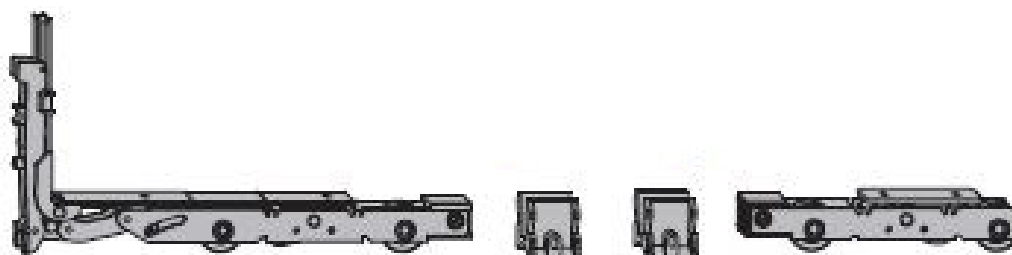


Product code	Description	System	Weight (kg)	Colour	Packaging unit
281031	HS 150 bogie set	timber	150	titan silver	1

## Siegenia HS150 Scheme C Carton

### Product information

Lift and slide bogie wheels for Scheme C systems up to 150kg.

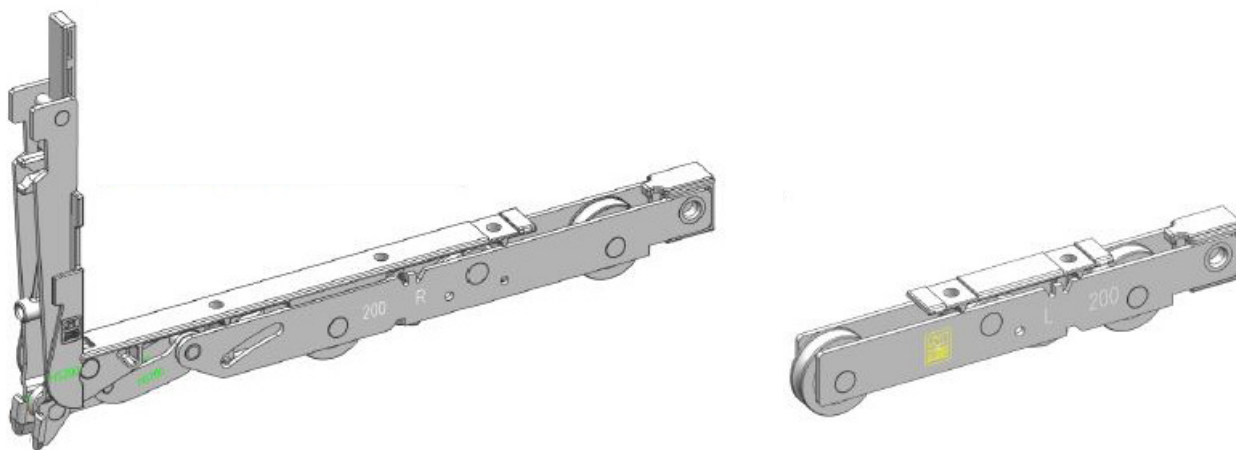


Product code	Description	System	Weight (kg)	Colour	Packaging unit
281048	Scheme C HS 150 bogie set	timber	150	titan silver	1

## Siegenia HS200 Basic Carton

### Product information

HS200 bogie wheels for standard timber systems.



Product code	Description	System	Weight (kg)	Colour	Packaging unit
PMKB0500-100010	Basic carton	timber	200	titan silver	1
PMKB0510-100010	Basic carton scheme C	timber	200	titan silver	1

## Siegenia HS300 Basic Carton

### Product information

HS300 bogie wheels for standard timber systems.



Product code	Description	Weight (kg)	Colour	Packaging unit
PMKB0300-100010	Basic carton with track brush	300	titan silver	1

## Siegenia HS300 Scheme C Basic Carton

### Product information

HS300 bogie wheels for Scheme C - head to head timber systems.



Product code	Description	Weight (kg)	Colour	Packaging unit
PMKB0310-100010	Basic carton with track brush	300	titan silver	1
PMKB0310-X00010	Basic carton with track brush	300	stainless steel	1

## Siegenia HS300-HV Basic Carton - Adjustable

### Product information

HS300 bogie wheels for timber systems, with rear height adjustment.



Product code	Description	Weight (kg)	Colour	Packaging unit
PMKB0320-100010	Basic carton with track brush	300	titan silver	1

## Siegenia HS300-HV Scheme C Carton - Adjustable

### Product information

HS300 bogie wheels for Scheme C, with rear height adjustment.

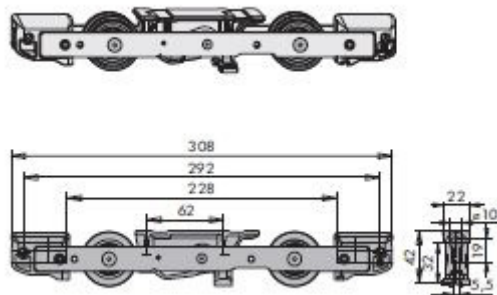


Product code	Description	Weight (kg)	Colour	Packaging unit
PMKB0330-100010	Basic carton with track brush	300	titan silver	1

## Siegenia HS400 Additional Bogie

### Product information

To be used in conjunction with HS300 bogies to create HS400.



#### TITAN Silver Coating

Product code	Description	Weight (kg)	Colour	Packaging unit
PLWB0050-100010	Additional bogie wheels for HS400	400	titan silver	1

#### E-LOOK Coastal Coating

Product code	Description	Weight (kg)	Colour	Packaging unit
PLWB0050-200010	Additional bogie wheels for HS400	400	titan silver	1

Note: Two additional bogies required.

## Siegenia HS400 Compact

### Product information

Compact bogie wheels for up to 400kg.



Product code	Description	Weight (kg)	Colour	Packaging unit
PMKB1400-100010	Compact bogies with track brush	400	titan silver	1

## Siegenia HS400 Scheme C Compact

### Product information

Compact bogie wheels for Scheme C systems up to 400kg.



Product code	Description	Weight (kg)	Colour	Packaging unit
PMKB1410-100010	Compact bogies with track brush	400	titan silver	1



## Siegenia HS-H Additional Carton

### Product information

Additional carton for 5mm bottom running tracks.

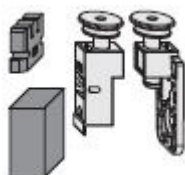


Product code	Description	Colour	Packaging unit
PMZB1400-021010	Additional carton - 5mm track	black	1

## Siegenia SC001 Additional Carton

### Product information

Additional carton for SC001 soft close guide track.



Product code	Description	Colour	Packaging unit
PMZB0640-021010	Additional carton SC001 guide track	black	1