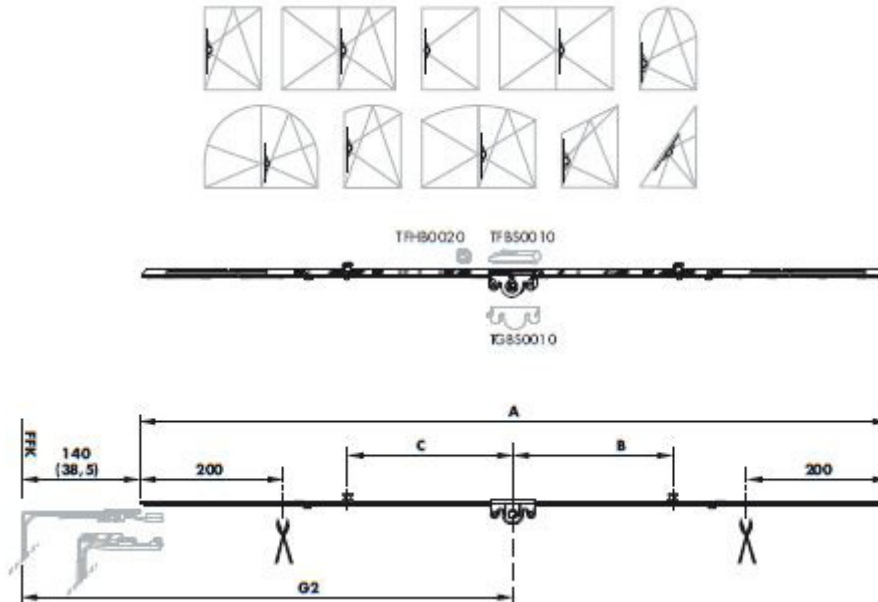


Siegenia TITAN AF Gear 15

Product information

Tilt & turn gear with 15mm backset.

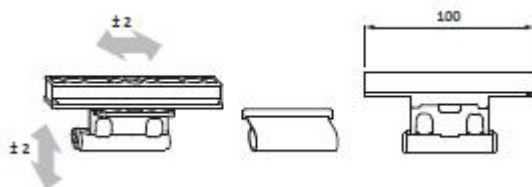


Product code	Description	Dimensions (mm)							Cams	Screws	Packaging unit
		FFH (mm)	G2	A	B	C					
TGMK4010-100010	Gear 15 AF SZ 20	260-600	130-300	630	-	-	0	0	25		
TGMK4020-100010	Gear 15 AF SZ 60	601-1000	300-500	720	-	-	0	2	25		
TGMK4040-100010	Gear 15 AF SZ 80 1RS	801-1200	400-600	920	80	-	1	3	25		
TGMK4160-100010	Gear 15 AF SZ 120 2RS	1201-1600	600-800	1320	280	220	2	6	25		
TGMK4170-100010	Gear 15 AF SZ 160 2RS	1601-2000	800-1000	1720	392	408	2	7	10		
TGMK4110-100010	Gear 15 AF SZ 200 2RS	2001-3000	1000-1500	2120	392	408	2	9	10		

Siegenia TITAN AF Tilt Only Hinge

Product information

For inward opening tilt windows, used in conjunction with TITAN AF tilt & turn top hinge.

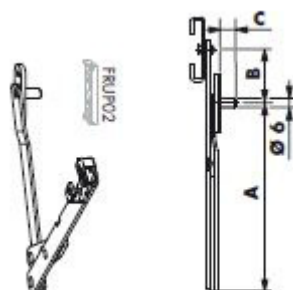


Product code	Description	Handing	System	Profile	Packaging unit
TBKF6020-100010	Tilt hinge	variable	uPVC	20-9	50
TBKF6050-100010	Tilt hinge	variable	uPVC	20-13	50

Siegenia Tilt Only Security Stay

Product information

Tilt only security stay for inward opening windows.

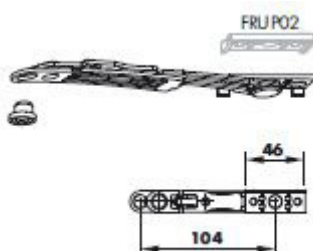


Product code	Description	Side	Dimensions (mm)				Screws	Packaging unit
			FFH	A	B	C		
ASFP0011-100010	Tilt only SEC stay RH SZ 1 TS	right	350-500	163	45	25	4	10
ASFP0012-100010	Tilt only SEC stay LH SZ 1 TS	left	350-500	163	45	25	4	10
ASFP0021-100010	Tilt only SEC stay RH SZ 2 TS	right	501-800	258	45	25	4	10
ASFP0022-100010	Tilt only SEC stay LH SZ 2 TS	left	501-800	258	45	25	4	10

Siegenia Tilt Only Telescopic Stay

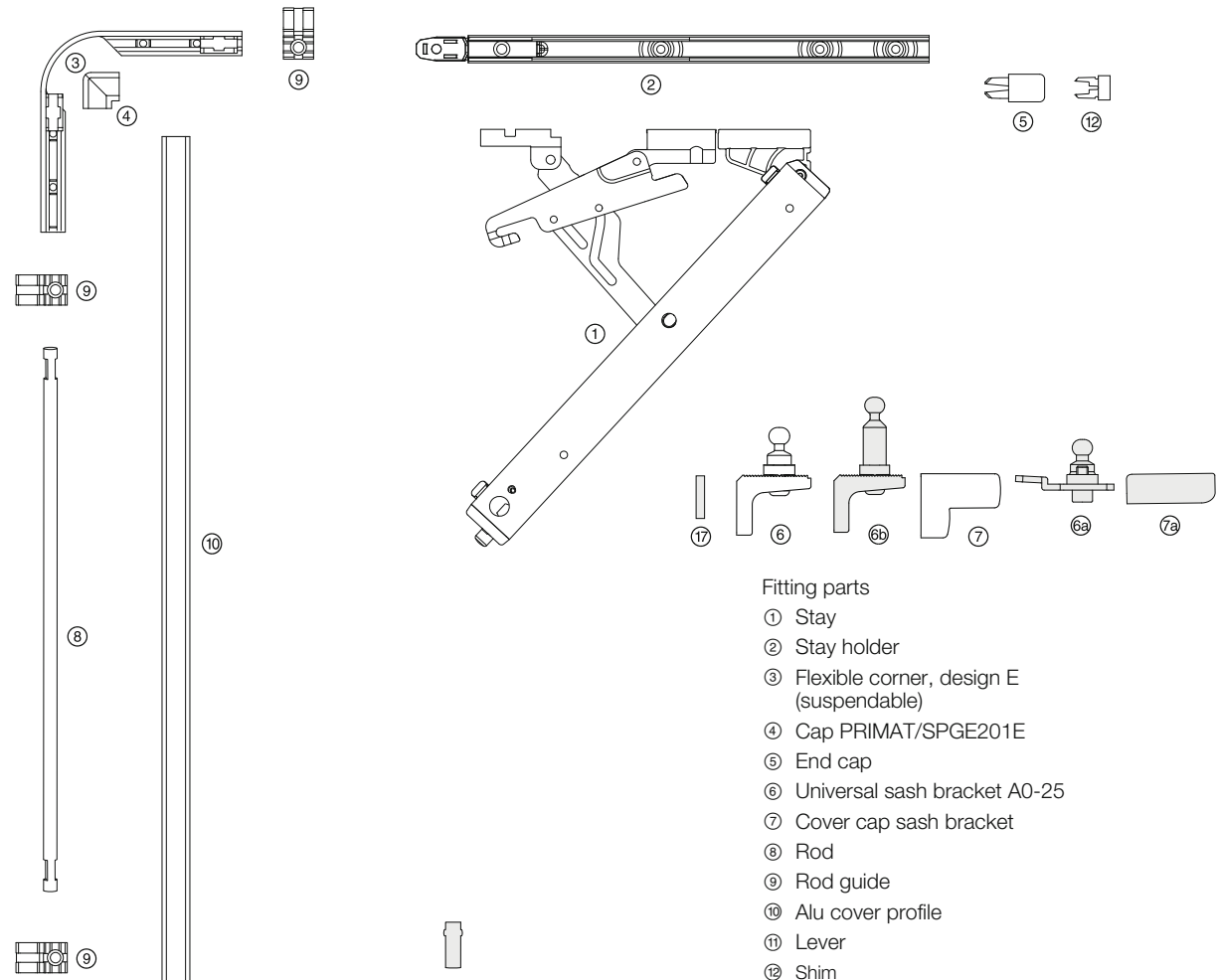
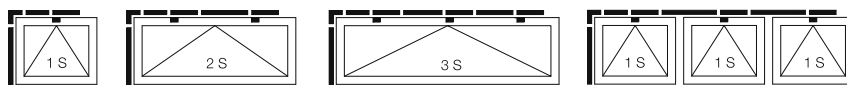
Product information

Telescopic stay for tilt windows, retrofits onto Siegenia gear faceplate.



Product code	Description	Size (mm)	Sash weight (kg)	Packaging unit
TSKF0020-100010	Tilt only telescopic stay	290-2400	50	100
TFZB0050-100010	Lock bolt for raised faceplate	n/a	n/a	100
TFZB0060-100010	Lock bolt for flat faceplates	n/a	n/a	100

Primat FL 190 - Fanlight Opener

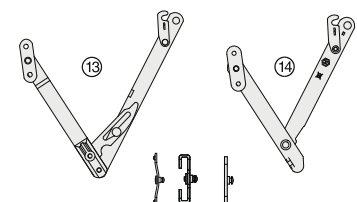
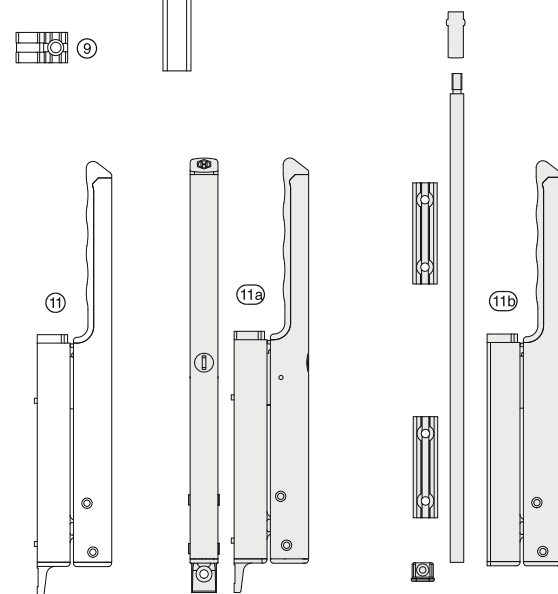


Fitting parts

- ① Stay
- ② Stay holder
- ③ Flexible corner, design E (suspendable)
- ④ Cap PRIMAT/SPGE201E
- ⑤ End cap
- ⑥ Universal sash bracket A0-25
- ⑦ Cover cap sash bracket
- ⑧ Rod
- ⑨ Rod guide
- ⑩ Alu cover profile
- ⑪ Lever
- ⑫ Shim

Optional:

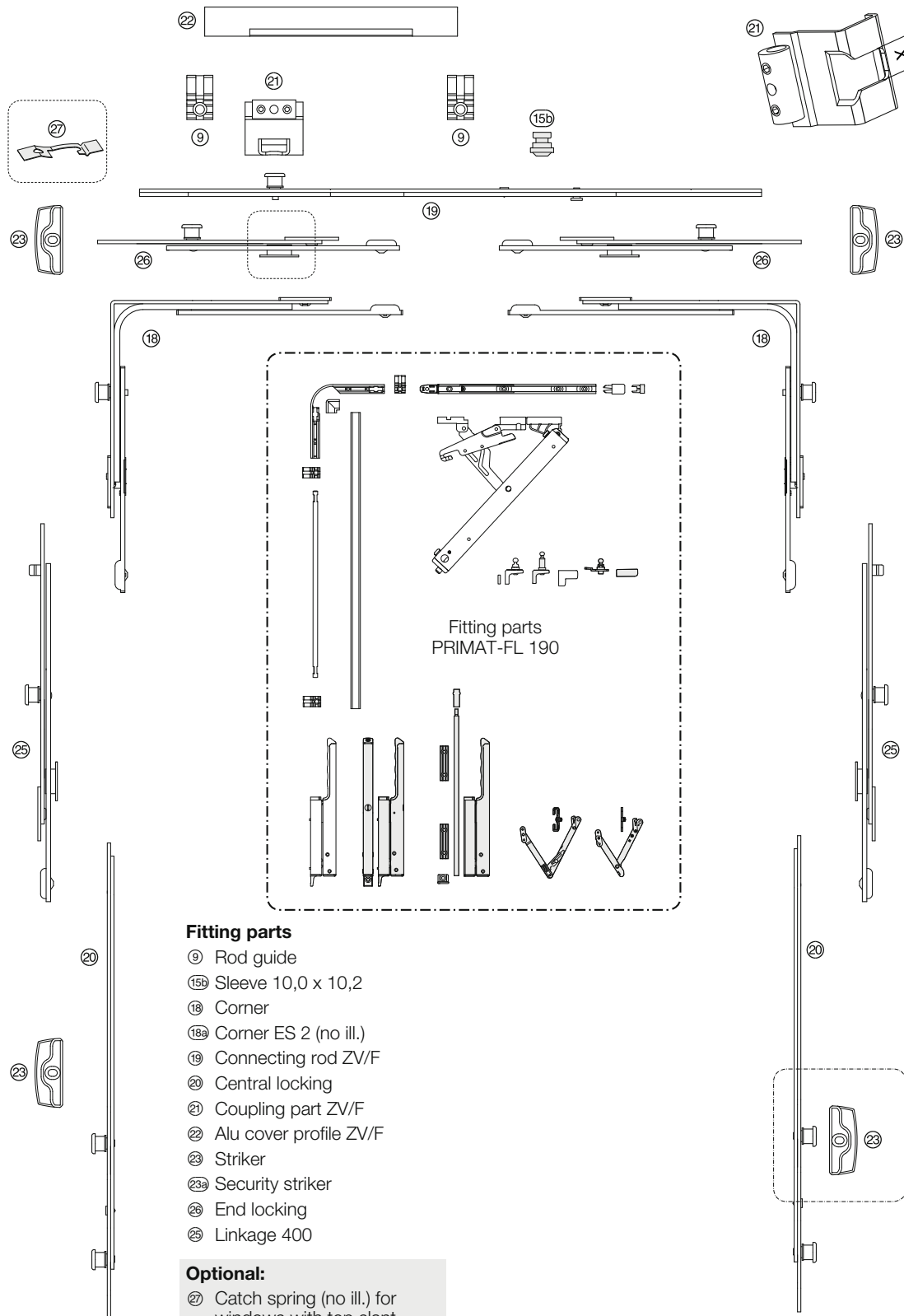
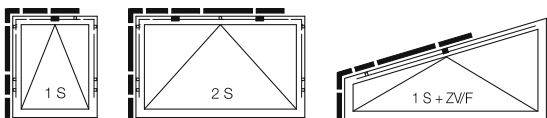
- ⑥a Top mounted sash bracket A14-20
- ⑥b Sash bracket A0-25 timber window
- ⑦a Cover cap for top mounted sash bracket A14-20
- ⑪a Lever, lockable
- ⑪b Lever, pivoting
- ⑬ Security stay KSP
- ⑭ Restrictor
- ⑰ Packer 1 or 2



Primat FL 190 - Fanlight Opener - continued

Product code	Description	Reference	Length (mm)	Colour	Packaging unit
173002	Basic carton PRIMAT-FL 190, design E, with universal sash bracket A0-25	1, 2, 3, 4, 5, 6, 7, 9, 11	-	silver	1
173005	Basic carton PRIMAT-FL 190, design E, with universal sash bracket A0-25	1, 2, 3, 4, 5, 6, 7, 9, 11	-	white	1
173008	Basic carton PRIMAT-FL 190, design E, with universal sash bracket A0-25	1, 2, 3, 4, 5, 6, 7, 9, 11	-	black	1
236246	Basic carton PRIMAT-FL 190, design E, with timber sash bracket AH0-25	1, 2, 3, 4, 5, 6b, 7, 9, 11	-	silver	1
173056	Additional carton PRIMAT-FL 190, with universal sash bracket A0-25	1,2,6,7,9,12	-	silver	1
173059	Additional carton PRIMAT-FL 190, with universal sash bracket A0-25	1,2,6,7,9,12	-	white	1
173062	Additional carton PRIMAT-FL 190, with universal sash bracket A0-25	1,2,6,7,9,12	-	black	1
234862	Additional carton PRIMAT-FL 190, with timber sash bracket AH0-25	1,2,6b,7,9,12	-	silver	1
108041	Rod 8mm diameter, design E	8	1000	silver	1
108044	Rod 8mm diameter, design E	8	2000	silver	1
108047	Rod 8mm diameter, design E	8	2500	silver	1
108050	Rod 8mm diameter, design E	8	3000	silver	1
108053	Rod 8mm diameter, design E	8	3750	silver	1
168869	Alu cover profile	10	2000	silver	1
168872	Alu cover profile	10	2000	white	1
168881	Alu cover profile	10	2000	black	1
168839	Alu cover profile	10	3000	silver	1
168842	Alu cover profile	10	3000	white	1
168851	Alu cover profile	10	3000	black	1
171050	Lever - lockable	11a	-	silver	1
171053	Lever - lockable	11a	-	white	1
171059	Lever - lockable	11a	-	black	1
173266	Top mounted sash bracket A14-20	6a	-	-	1
127904	Cover cap for top mounted sash bracket A14-20	7a	-	silver	1
127889	Cover cap for top mounted sash bracket A14-20	7a	-	white	1
127901	Cover cap for top mounted sash bracket A14-20	7a	-	black	1

Primat FL 190 - Fanlight Opener Accessories



Fitting parts

- ⑨ Rod guide
- ⑮ Sleeve 10,0 x 10,2
- ⑱ Corner
- ⑱a Corner ES 2 (no ill.)
- ⑲ Connecting rod ZV/F
- ⑳ Central locking
- ㉑ Coupling part ZV/F
- ㉒ Alu cover profile ZV/F
- ㉓ Striker
- ㉓a Security striker
- ㉔ End locking
- ㉕ Linkage 400

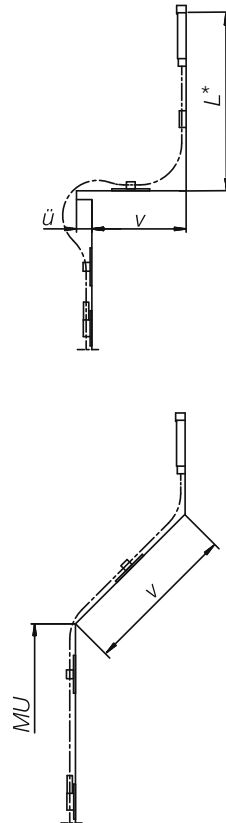
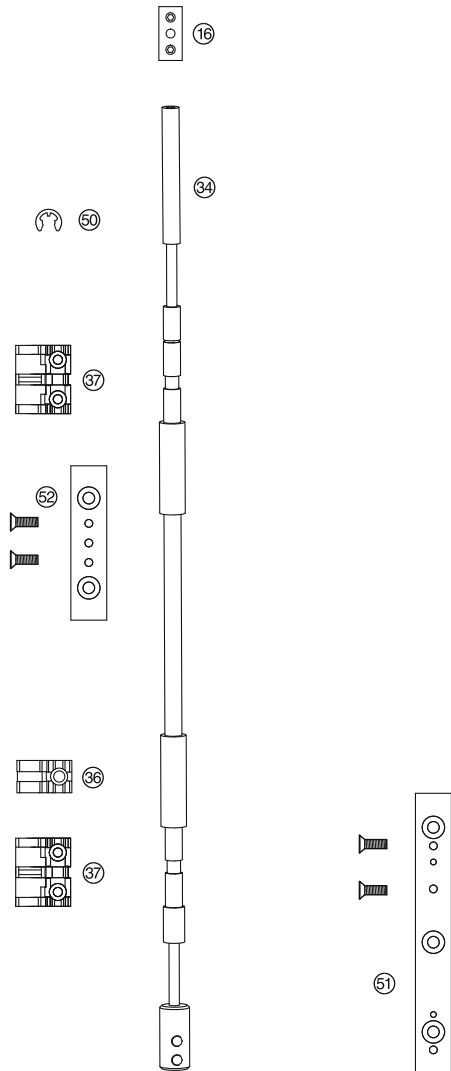
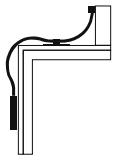
Optional:

- ㉗ Catch spring (no ill.) for windows with top slant and side hung window

Primat FL 190 - Fanlight Opener Accessories - continued

Product code	Description	Reference	Colour	Packaging unit
225316	Accessories ZV/F (coupling parts)	21, 22, 9	silver	1
225319	Accessories ZV/F (coupling parts)	21, 22, 9	white	1
225322	Accessories ZV/F (coupling parts)	21, 22, 9	black	1
Individual Parts:				
223950	Coupling part ZV/F (measure x = 8.3mm handle, top)	21	silver	1
171726	Alu cover profile ZV/f	22	silver	1
171729	Alu cover profile ZV/f	22	white	1
171732	Alu cover profile ZV/f	22	black	1
176337	Rod guide	9	silver	1

Primat FL 190 - Flexible Transmission



Range of application

For single and double stay systems

Minimum sash height = 300 mm

* acc. application range PRIMAT-FL 190

measure v up to 400 mm Δ Rods 700 mm

measure v up to 700 mm Δ Rods 1000 mm

measure v up to 950 mm Δ Rods 1250 mm

measure v up to 1300 mm Δ Rods 1700 mm

measure v up to 1700 mm Δ Rods 2000 mm

Glass weights of up to 30 kg/m²

(Weight for thickness of 1 mm ~ 2.5 kg/m²)

Does not apply unless the distance between the sash's gravity centre and the centre of rotation is \leq 60 mm.

Fitting parts

- 16 Sleeve 8/8
- 34 Flexible rod
- 36 Guide
- 37 Holder
- 50 Lock washer
- 51 Plugging plate, lever
- 52 Plugging plate, clamping guide

Measure v = depth of the reveal (window sill depth),
above 200 mm with guide, up to 200 mm
without guide

Measure MU = upper edge of the window sill to lower edge
of the lever at least 455 mm

Measure ü = sill depth max. 40 mm

Measure L* = upper edge of the sash to upper edge of the
window sill at least 405 mm

Primat FL 190 - Flexible Transmission - continued

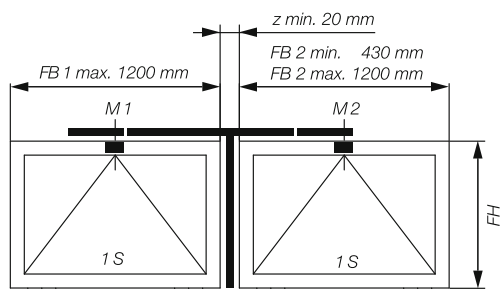
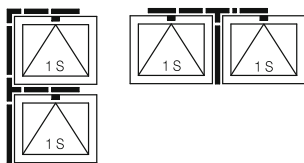
Product code	Description	Reference	Length (mm)	Colour	Packaging unit
175344	Bag with flexible rod with accessories	34, 37, 36	400	silver	1
175347	Bag with flexible rod with accessories	34, 37, 36	400	white	1
175350	Bag with flexible rod with accessories	34, 37, 36	400	black	1
175353	Bag with flexible rod with accessories	34, 37, 36	700	silver	1
175356	Bag with flexible rod with accessories	34, 37, 36	700	white	1
175359	Bag with flexible rod with accessories	34, 37, 36	700	black	1
108308	Bag of accessories for flexible transmission (supplementing flexible rod)	16, 50, 37, 51, 52	-	silver	1
108302	Bag of accessories for flexible transmission (supplementing flexible rod)	16, 50, 37, 51, 52	-	white	1
108305	Bag of accessories for flexible transmission (supplementing flexible rod)	16, 50, 37, 51, 52	-	black	1
190864	Bag of accessories for flexible transmission without plugging plate (supplementing flexible rod)	16, 50, 37	-	silver	1
190867	Bag of accessories for flexible transmission without plugging plate (supplementing flexible rod)	16, 50, 37	-	white	1
190870	Bag of accessories for flexible transmission without plugging plate (supplementing flexible rod)	16, 50, 37	-	black	1

PRIMAT-FL 190

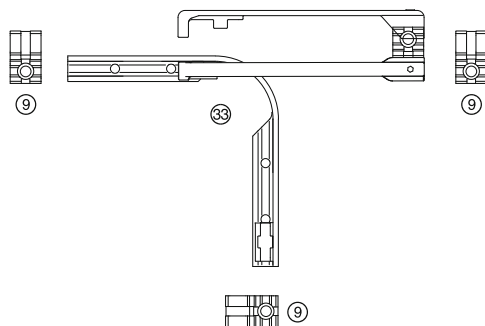
Requires the following additional fitting parts:

1. Additional carton PRIMAT-FL 190
2. Alu lever
3. Corner
4. Rod 8mm diameter
5. Alu cover profile

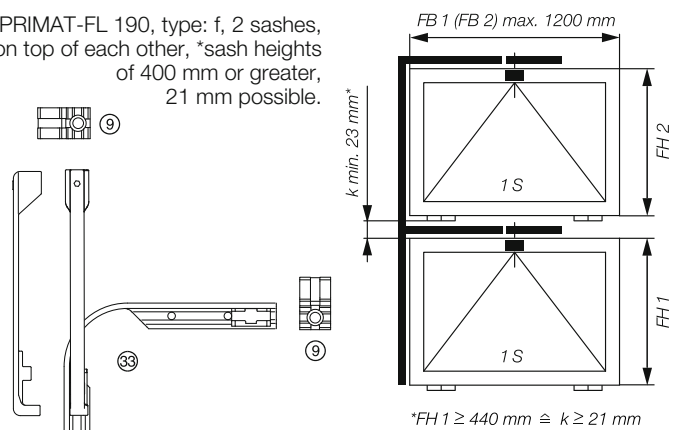
Primat FL 190 - Corner for Double Sash Window



PRIMAT-FL 190, type: hm, 2 sashes, side-by-side



PRIMAT-FL 190, type: f, 2 sashes, on top of each other, *sash heights of 400 mm or greater, 21 mm possible.



Side and front view
Lever position on the left (right laterally reversed)

Fitting parts

- ③ Corner for double-sash windows
- ⑨ Rod guide

Product code	Description	Reference	Packaging unit
228118	Bag with corner for double sash windows	9, 33	1

Note: Same use for all colour variations possible.

Requires the following additional fitting parts:

1. 2x additional carton PRIMAT-FL 190
2. Alu lever
3. Rod 8mm diameter
4. Alu cover profile