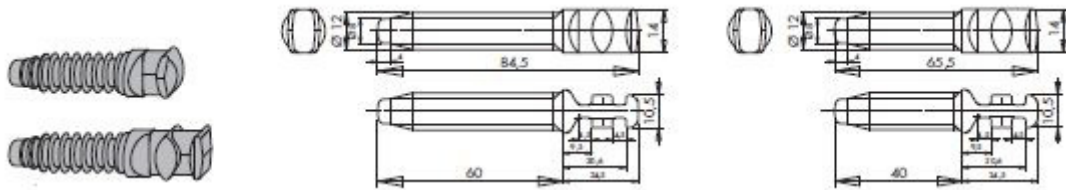


Siegenia HS Additional Locking Bolts - Timber

Product information

Locking part for timber doors.

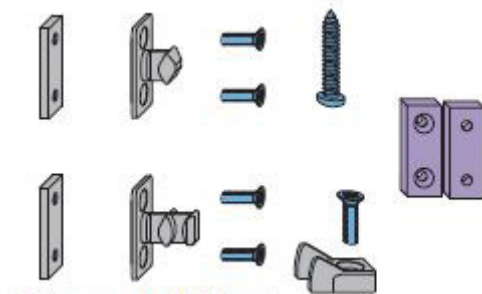


Product code	Description	Packaging unit
PRTB0010-100010	Top locking bolt E	1
PRTB0020-100010	Bottom locking bolt E	1

Siegenia HS Scheme C Accessories Bag

Product information

Accessories for head to head lift and slide doors.

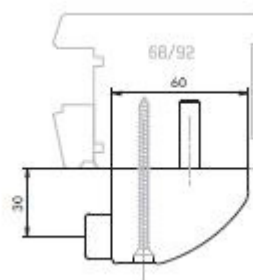
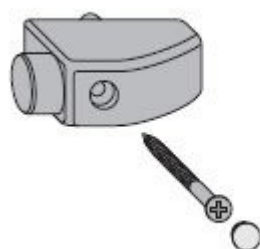


Product code	Description	Packaging unit
239087	Scheme C accessories bag	1

Siegenia HS Stop

Product information

Surface mounted stop for lift and slide doors.

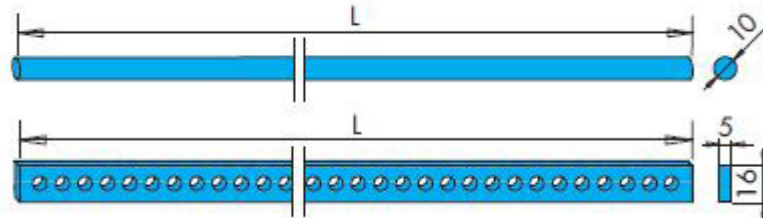


Product code	Description	Colour	Packaging unit
831922	Surface mounted stop	9005 jet black	20
821237	Surface mounted stop	9003 signal white	20
PMZB0140-0E6010	Surface mounted stop	7040 window grey	20

Siegenia HS Connecting Rods

Product information

For connection between bogies in timber and uPVC systems.

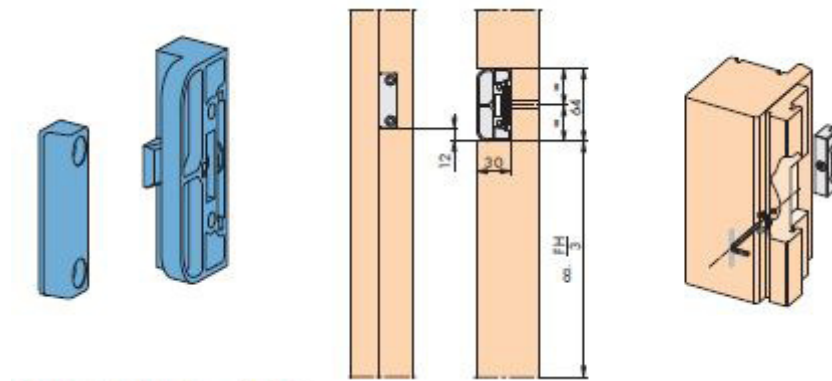


Product code	Description	Type	Material	Length (mm)	Packaging unit
719480	Connecting rods	flat	steel	1398	10
719497	Connecting rods	flat	steel	1898	10
714768	Connecting rods	round	steel	1015	10
PVSE0060-100010	Connecting rods	round	steel	1670	10
PVSE0060-X00010	Connecting rods	round	stainless steel	1670	10
PVSE0050-X00010	Connecting rods	round	stainless steel	1670	10

Siegenia HS Centre Lock

Product information

Centre lock for timber sealing rail C.

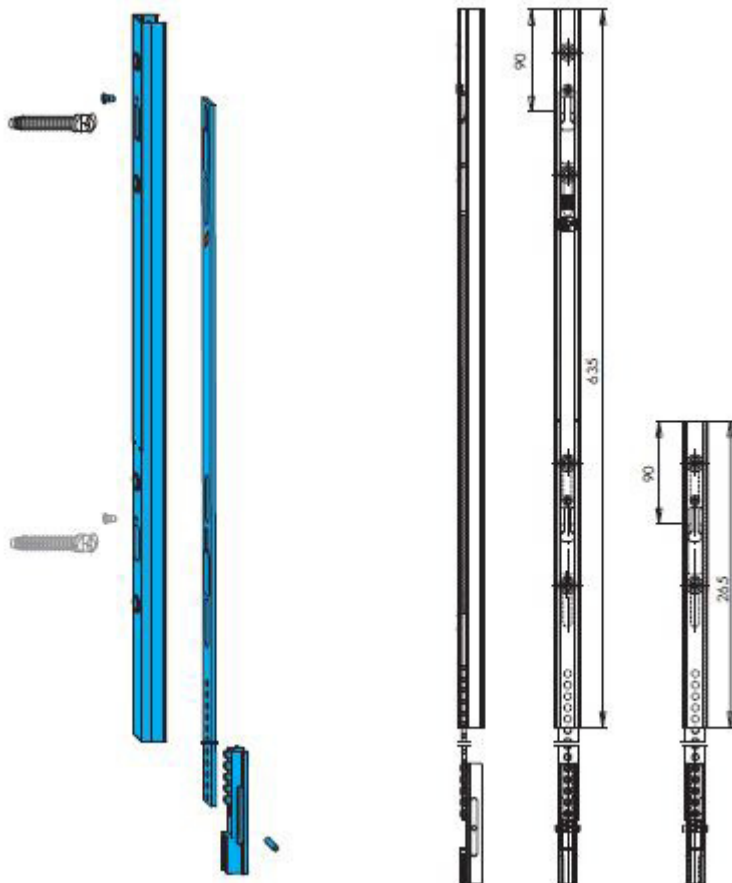


Product code	Description	Sash Distance (mm)	Packaging unit
PMZB0150-100010	Centre lock	28	20

Siegenia HS Additional Lock Extension

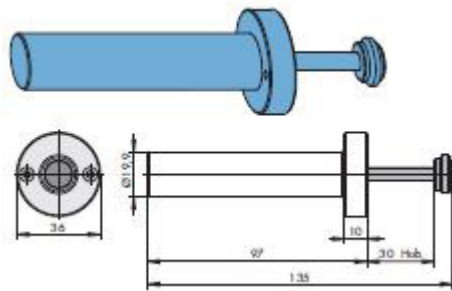
Product information

Additional lock suitable for HS Portal 200 and HS Portal 300 gears.



Product code	Description	Size (mm)	Colour	Packaging unit
PMGB0010-124010	Additional lock	635	silver	1

Siegenia HS High Impact Absorber

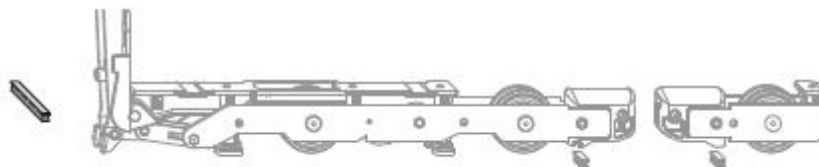


Product code	Description	Packaging unit
PMZB0130-000010	Impact absorber	1

Siegenia HS Bogie Wheel Brushes

Product information

Brushes for bogie wheels HS300 and HS400.

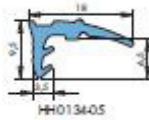


Product code	Description	Size (mm)	Packaging unit
PDPB0160-097020	Sealing brush	100	10

Siegenia HH0134-05 Lift & Slide Seal

Product information

Lift & slide top seal.



Product code	Description	Colour	Length (m)	Packaging unit
PDPB0050-099010	Top seal HH0134-05	black	3.4	1

Siegenia HH0134-02 Lift & Slide Seal

Product information

Seal for lift & slide door sashes.

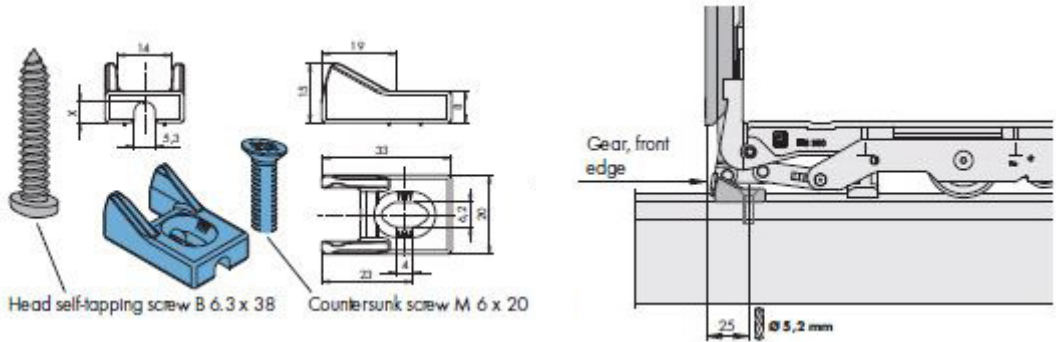


Product code	Description	Colour	Length (m)	Packaging unit
PDPB0030-099010	Sash sealing, bottom HH0134-02	black	17.5	1
PDPB0040-099010	Sash sealing, bottom HH0134-02	black	100	1

Siegenia HS Track Mounted Stop

Product information

Secondary sash locking part for lift and slide doors (screws included).

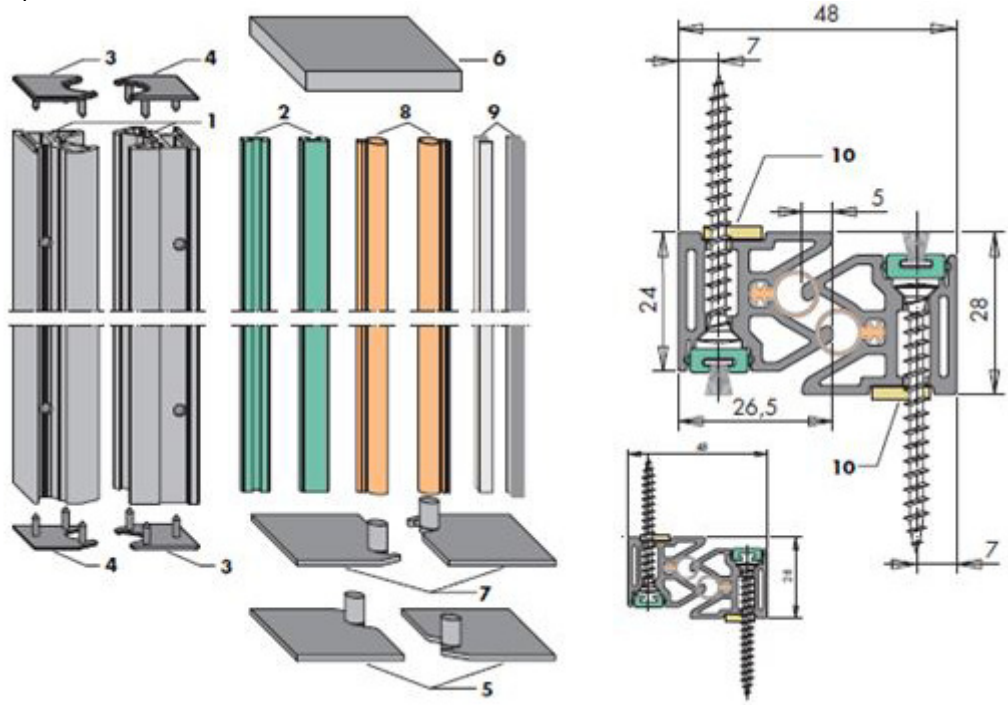


Product code	Description	Dimension x (mm)	Packaging unit
238691	Locking part HS scheme C & G	5.3	1

Siegenia HS Sealing Strip C

Product information

Interlock sealing strip for lift and slide doors.



Product code	Description	Length (m)	Packaging unit
PMZB1010-023010	Locking part HS scheme G	3.5	1