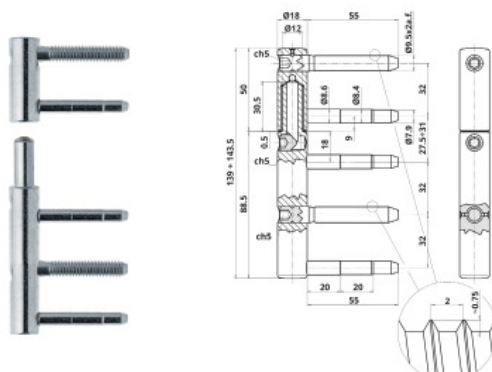


## Ursus Hinge - Timber

### Product information

Heavy duty 5 pin hinge, suitable for weights up to 160kg, 3D adjustable.



Product code	Description	Length (mm)	Width (mm)	Capacity (kg)	Colour / Finish	Packaging unit
CI4951808H02	5 pin timber hinge set	139	18	160	super zinc plated	10
GC838190J703	Aluminium cover cap - large	91	19	-	satin silver	30
GC838190J704	Aluminium cover cap - small	55.5	19	-	satin silver	30
MA701180G008	MA701 Ursus 18 jig set	-	-	-	-	1

## Mixacta 3D Hinge - Timber

### Product information

3D adjustable hinge for timber profile with 13mm groove axis, opening angle 180 deg.



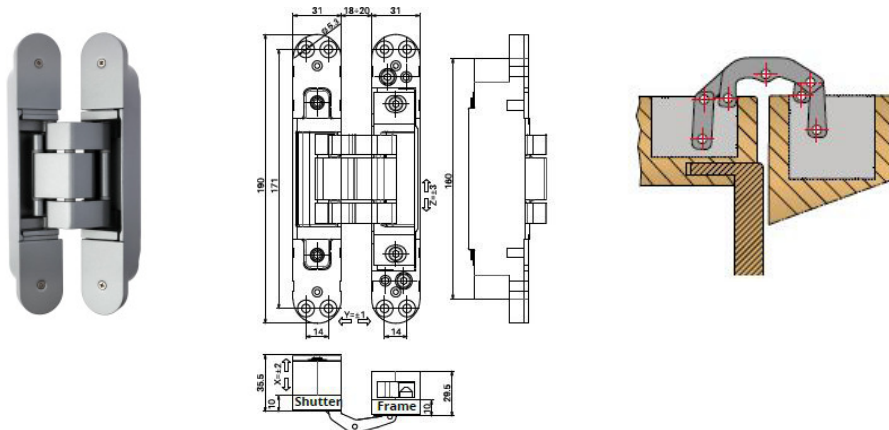
Product code	Description	Size (mm)	Colour / Finish	Packaging unit
CF483160H510	Sash part left (pictured)	16	zinc plated	12
CF483160H511	Sash part right	16	zinc plated	12
CG495160H502	Timber frame part 2 prong	16	zinc plating	50
CG495160H02	Timber frame part 3 prong	16	zinc plating	10
GC838170J702	Aluminium cap	16	satin silver	100
GC838170J706	Aluminium cap - large	16	satin silver	120
GC838180Y603	Nylon cap	16	white 9016	120
GC838180Y208	Nylon cap	16	black	120
GC838180YS04	Nylon cap	16	matt chrome	120
MA701483G004	Jig set MA701 Timber	-	-	1

Note: 2 prong hinges require standard hinge covers, 3 prong hinges require large hinge covers. All sash parts require standard hinge covers.

## Invisi 310 Concealed Hinge - Heavy Duty

### Product information

Concealed hinge for door weights up to 120kg, 3D adjustable.



### Technical data

Capacity*	120 kg
Hinge height	190 mm
Width shutter side	31 mm
Width frame side	31 mm
Depth shutter side	35,5 mm
Depth frame side	29,5 mm
Door opening angle	180°
Side adjustment	± 1,5 mm
Height adjustment	± 3 mm
Depth adjustment	± 1 mm

\* Tested with 90x210 cm doors - For more information on the number of hinges to be used according to the weight and dimension of the door, please see the loading charts available on the website [www.otlav.it](http://www.otlav.it).

### Technical features

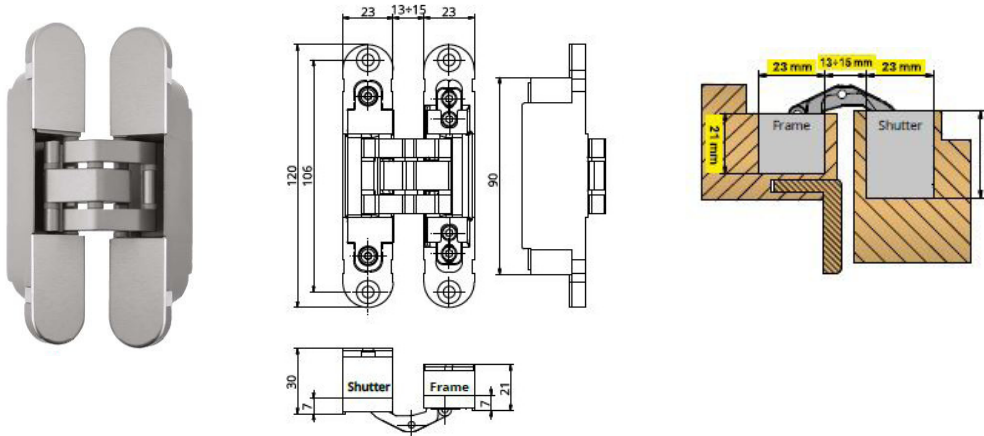
- Movement on 7 junction fulcrums equipped with bearing in plastic HT with high resistance and long life.
- Equipped with 3-way adjustments that can be settled by means of just one 4mm hex-spanner. Once installed, the door has natural sinking, Invisi hinge allows adjustment of the door back to the original position.
- The hinge can be fitted with door closing devices.
- Outer casings protect the inner junction fulcrums against rubble coming from door installation works.
- The clamping screws, placed in the outer casings, are not used for hinge adjustment, therefore they remain stable for a long time.
- CE certified - according European Assessment Document 020001-01-0405.
- The hinge meets the anti-burglary criteria according to European Assessment Document 020001-01-0405.
- Fireproof certified 90' according UNI-EN 1634-1.
- Reversible
- Material of levers: aluminum.
- Material of casing: zamak.
- Caps available to conceal the screws.

Product code	Description	Length (mm)	Width (mm)	Capacity (kg)	Colour / Finish	Packaging unit
IN310190V703	Hinge IN310	190	31	120	satin silver	2
IN310190N03	Hinge IN310	190	31	120	matt black	2
MU310190G002	Aluminium jig set IN310	-	-	-	-	1
MUINV500G006	Nylon jig set IN310	-	-	-	-	1

## Invisi Concealed Hinge - 23mm Milling

### Product information

Concealed hinge for doors, 3D adjustable.



### Technical data

Capacity*	40 / 60 kg
Hinge height	120 mm
Width shutter side	23 mm
Width frame side	23 mm
Depth shutter side	30 mm
Depth frame side	21 mm
Door opening angle	180°
Side adjustment	± 1 mm
Height adjustment	± 2 mm
Depth adjustment	± 1 mm

\* Tested with 90x210 cm doors - For more information on the number of hinges to be used according to the weight and dimension of the door, please see the loading charts available on the website [www.otlav.it](http://www.otlav.it).

### Technical features

- A 21mm depth slot on the frame side makes it unique and enables its perfect integration in reduced spaces. No need to cut the architrave which can be flush mounted.
- Movement on 7 junction fulcrums equipped with bearing in plastic HT with high resistance and long life.
- Equipped with 3-way adjustments that can be settled by means of just one 3mm hex-spanner. Once installed, the door has natural sinking, Invisi hinge allows adjustment of the door back to the original position.
- The hinge is reversible.
- Outer casings protect the inner junction fulcrums against rubble coming from door installation works.
- The clamping screws, placed in the outer casings, are not used for hinge adjustment, therefore they remain stable for a long time.
- Material of hinge: ZAMAK.
- Aluminum caps available to conceal the screws.

### For IN230 only:

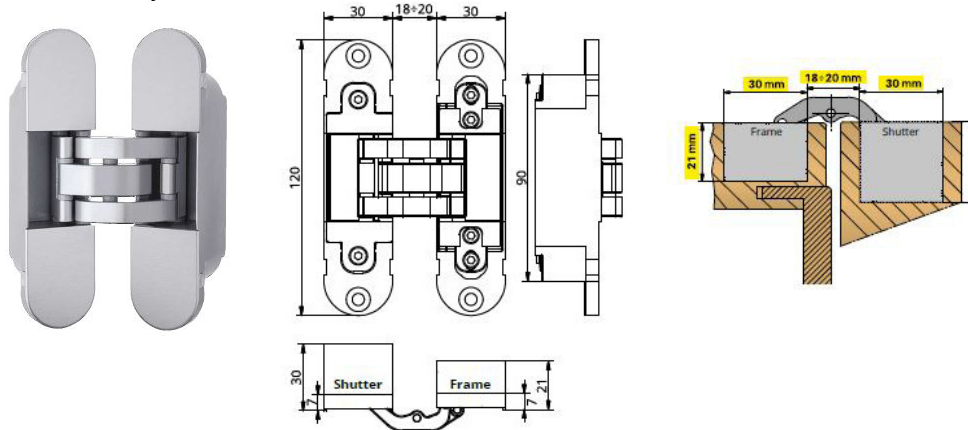
- The hinge can be fitted with door closing devices
- CE certified - according European Assessment Document 020001-01-0405
- Fireproof certified 30' according UNI-EN 1634-2

Product code	Description	Length (mm)	Width (mm)	Capacity (kg)	Colour / Finish	Packaging unit
IN230120V702	Hinge - IN230	120	30	60	satın silver	2
IN2301209N02	Hinge - IN230	120	30	60	matt black	2
IN235120V704	Hinge - IN235	120	30	40	satın silver	2
GC230010J102	Cap - IN230 & IN235	120	30	-	satın silver	2
GC2300109N02	Cap - IN230	120	30	-	matt black	2
MU230120G002	Aluminium jig set	-	-	-	-	1
MUINV500G004	Nylon jig set	-	-	-	-	1

## Invisi Concealed Hinge - 30mm Milling

### Product information

Concealed hinge for doors, 3D adjustable.



### Technical data

Capacity*	40 / 60 / 80 kg
Hinge height	120 mm
Width shutter side	30 mm
Width frame side	30 mm
Depth shutter side	30 mm
Depth frame side	21 mm
Door opening angle	180°
Side adjustment	± 1 mm
Height adjustment	± 2 mm
Depth adjustment	± 1 mm

\* Tested with 90x210 cm doors - For more information on the number of hinges to be used according to the weight and dimension of the door, please see the loading charts available on the website [www.otlav.it](http://www.otlav.it).

### Technical features

- A 21mm depth slot on the frame side makes it unique and enables its perfect integration in reduced spaces. No need to cut the architrave which can be flush mounted.
- The hinge is reversible, if mounted in the center of the door thickness, allows the reversibility of the door, thus enabling the optimization of the stock and logistics at installation.
- Movement on 7 junction fulcrums equipped with bearing in plastic HT with high resistance and long life.
- Equipped with 3-way adjustments that can be settled by means of just one 3mm hex-spanner. Once installed, the door has natural sinking, Invisi hinge allows adjustment of the door back to the original position.
- Outer casings protect the inner junction fulcrums against rubble coming from door installation works.
- The clamping screws, placed in the outer casings, are not used for hinge adjustment, therefore they remain stable for a long time.
- Aluminum caps available to conceal the screws.

### For IN300 & IN303 only:

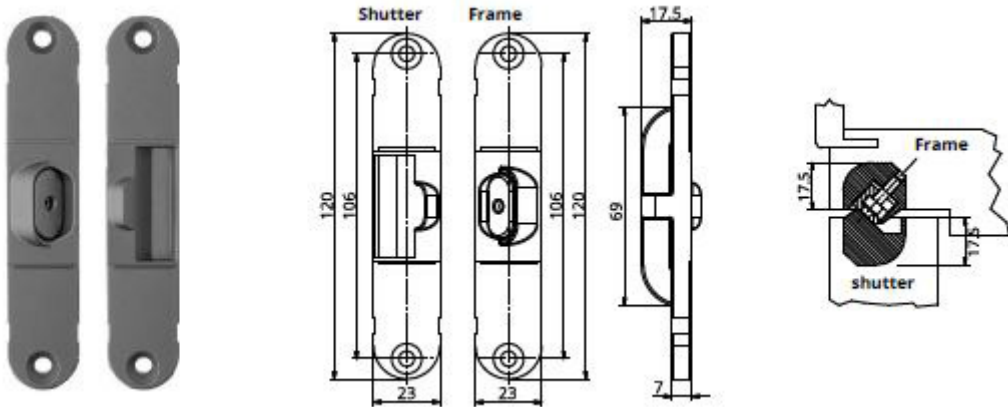
- The hinge can be fitted with door closing devices.
- Material of levers: aluminum.
- CE certified - according European Assessment Document 020001-01-0405
- IN300 - Fireproof certified 30' according UNI-EN 1634-2
- IN303 - Fireproof certified 45' according UNI-EN 1634-1

Product code	Description	Length (mm)	Width (mm)	Capacity (kg)	Colour / Finish	Packaging unit
IN300120V702	Hinge - IN300	120	30	60	satin silver	2
IN3001209N02	Hinge - IN300	120	30	60	matt black	2
IN303120V702	Hinge - IN303	120	30	80	satin silver	2
IN305120V702	Hinge - IN305	120	30	40	satin silver	2
GC300010J102	Cap - IN300, IN303 & IN305	120	30	-	satin silver	2
GC3000109N02	Cap - IN300	120	30	-	matt black	2
MU300120G002	Aluminium jig set	-	-	-	-	1
MUINV500G002	Nylon jig set	-	-	-	-	1

**Invisi Alignment Device - 23mm Milling**

**Product information**

Enables the door to be aligned to the frame and is equipped with adjustable tension of the door jamb. Aluminium caps available to conceal the screws.

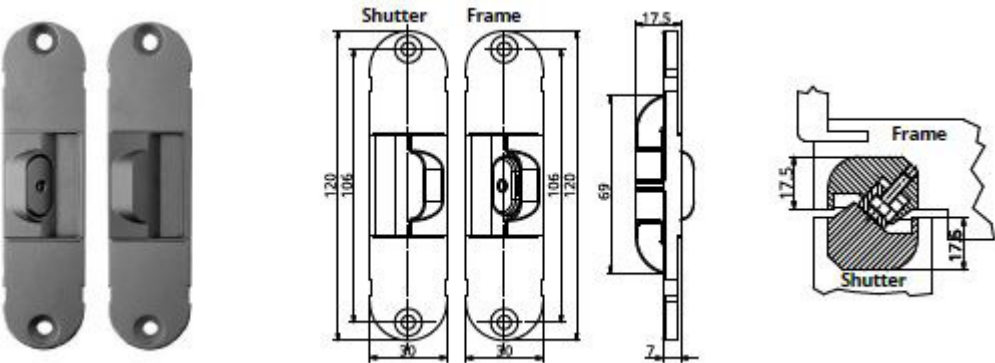


Product code	Description	Length (mm)	Width (mm)	Colour / Finish	Packaging unit
IN230120V702	AI300 device - IN230 & IN235	120	23	satın silver	6

**Invisi Alignment Device - 30mm Milling**

**Product information**

Enables the door to be aligned to the frame and is equipped with adjustable tension of the door jamb. Aluminium caps available to conceal the screws.



Product code	Description	Length (mm)	Width (mm)	Colour / Finish	Packaging unit
IN300120V702	AI300 device - IN300, IN303 & IN305	120	30	satın silver	6