

Cotswold Auto Latch Restrictor

Product information

Restricts window opening position, 11.5mm striker pin supplied.

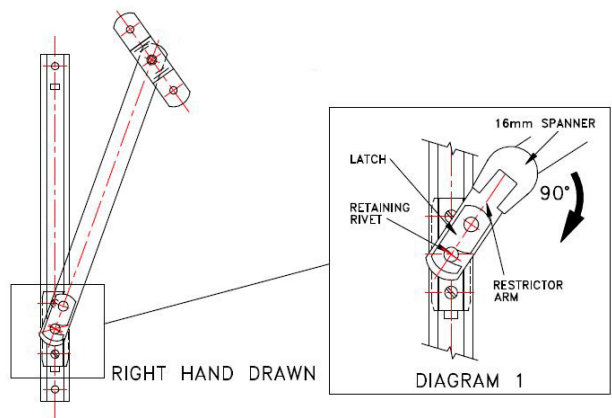


Product code	Description	Handing	Packaging unit
AL100LH	Auto latch restrictor & striker	left	50
AL100RH	Auto latch restrictor & striker	right	50

Cotswold Friction Arm with Latch

Product information

Latched arm for external access or cleaning.



Product code	Description	Handing	Size (inch)	Stack height (mm)	Packaging unit
FA1013LLH	Friction arm with latch	left	10"	13	50
FA1013LRH	Friction arm with latch	right	10"	13	50

Cotswold Friction Arm

Product information

Fixed arm for permanent restriction.

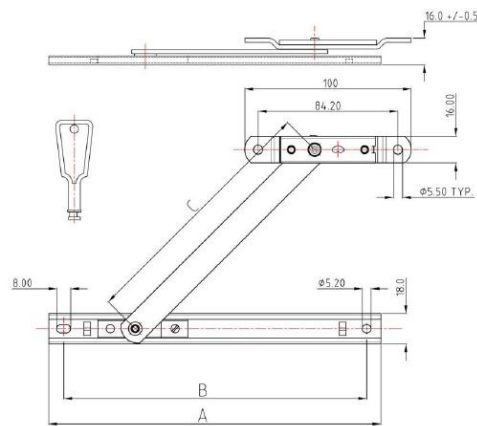


Product code	Description	Size (inch)	Stack height (mm)	Packaging unit
FA0613	Friction arm	6"	13	100
FA1013	Friction arm	10"	13	100

Cotswold SDR Security Friction Arm

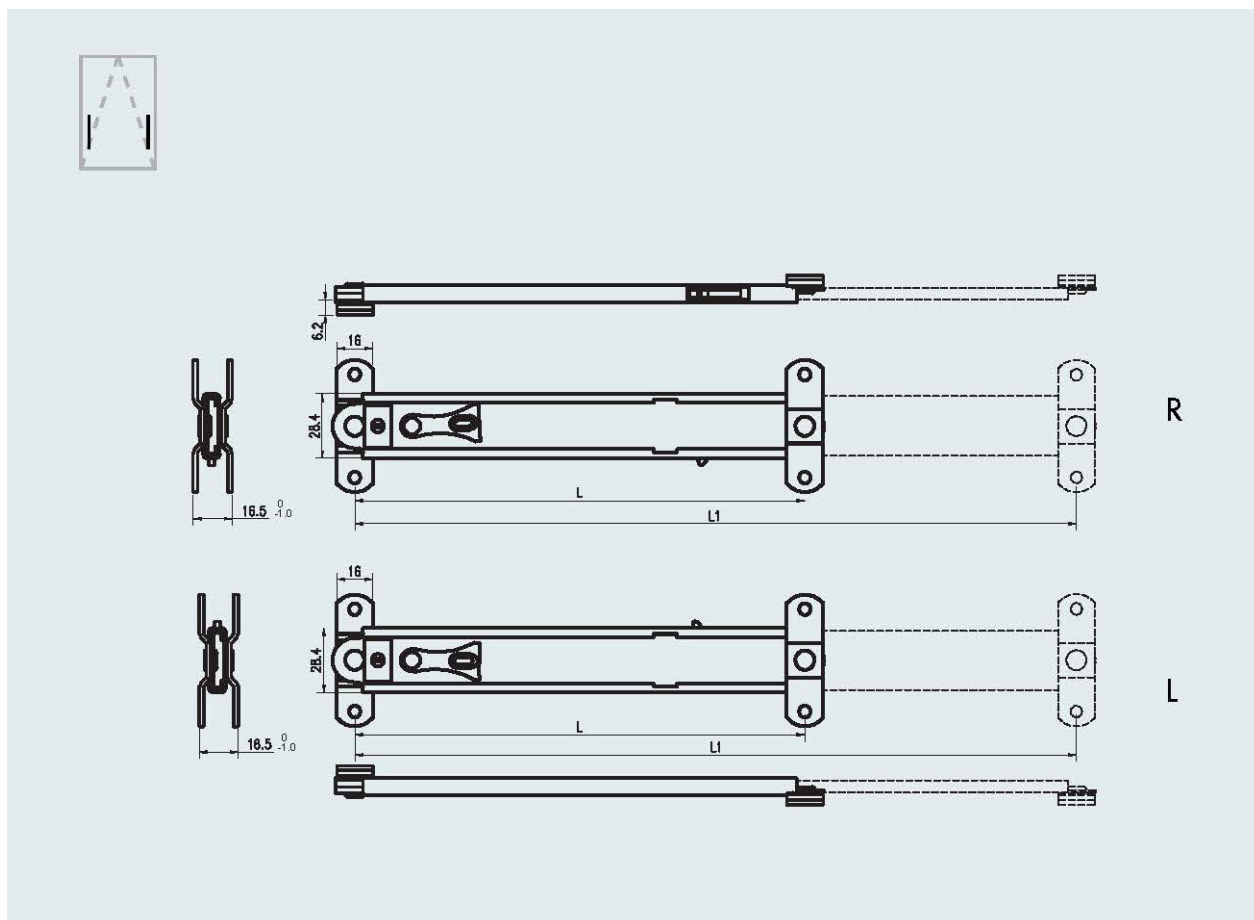
Product information

Arm with key removal for external access or cleaning.



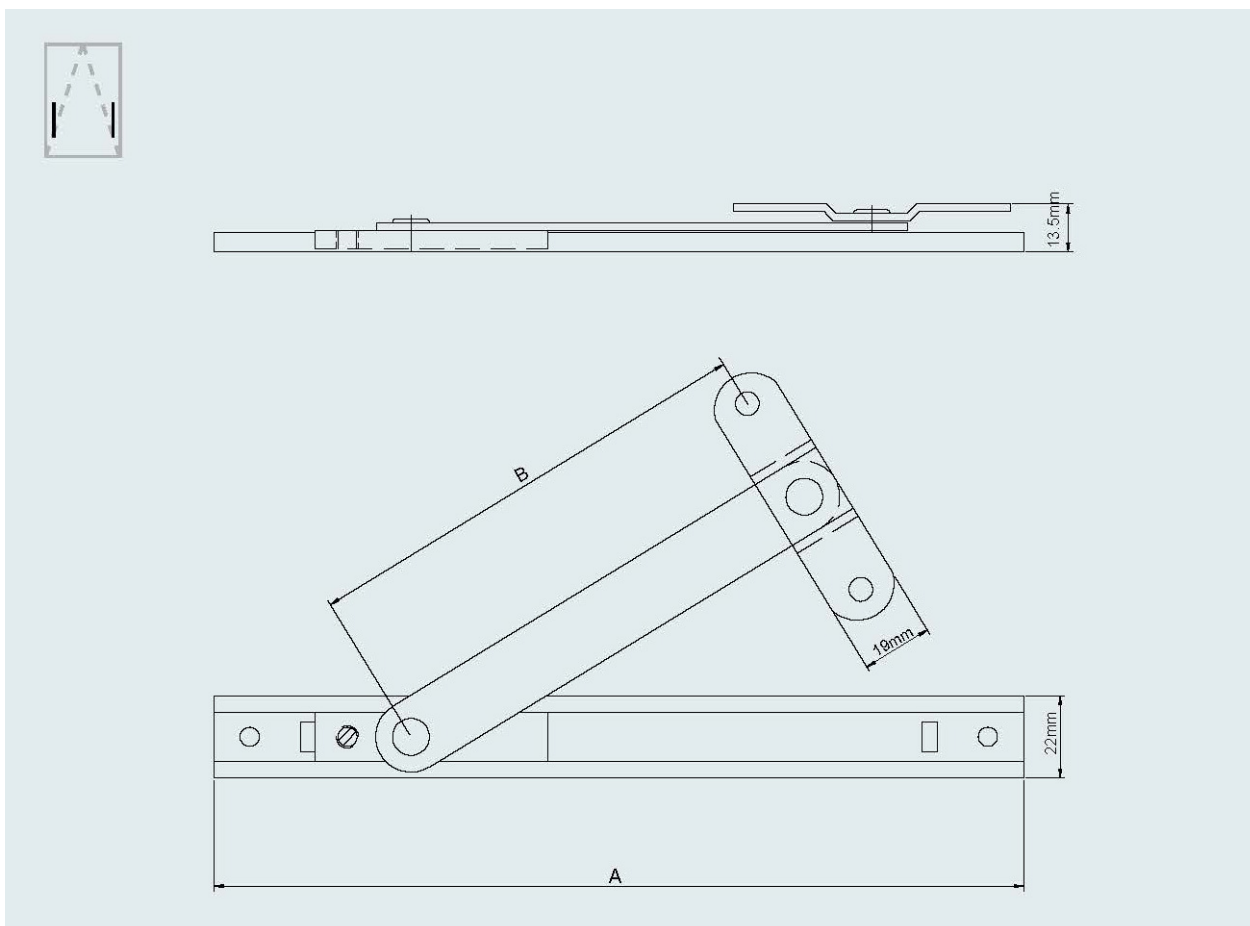
Product code	Description	Size (inch)	Stack height (mm)	Packaging unit
SDR0613	Security friction arm	6"	16	50
SDR0813	Security friction arm	8"	16	50
SDRKEY	Friction arm key	n/a	n/a	1

Siegenia Light Duty Stop Stay



Product code	Description	Contraction length L (mm)	Extension length L1 (mm)
CASA8000-000050	ES01-06"	154.5	203.5
CASA8010-000050	ES01-08"	203.5	301.5
CASA8020-000050	ES01-10"	254.5	403.5

Siegenia Heavy Duty Friction Arm

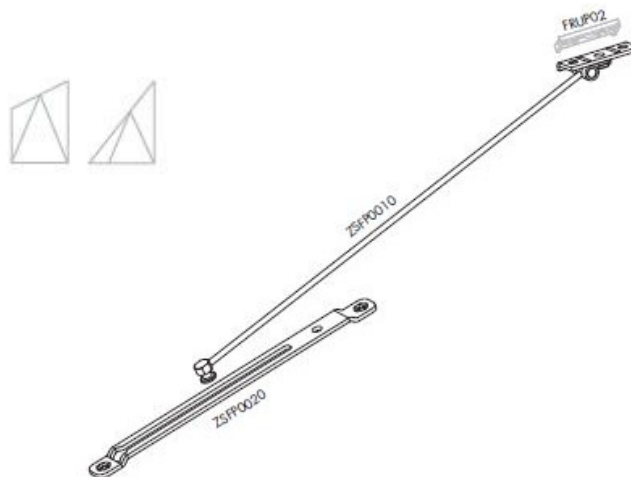


Product code	Description	Bottom groove length A (mm)	Connecting rod length B (mm)
CAHD8000-000200	ZCB-8"	216	123
CAHD8010-000600	ZCB-10"	268	177
CAHD8020-000600	ZCB-12"	298	207
CAHD8030-000600	ZCB-14"	344	249

Siegenia Security Cable & Plate

Product information

Cable security for tilting windows.



Product code	Description	Size / Travel (mm)	Packaging unit
ZSFP0010-100010	Security cable 300	300	10
ZSFP0020-100010	Security plate 130	130	10

Cockspur Fastener

Product information

Restricts window opening position, 4 night vent positions, can be retrofitted.

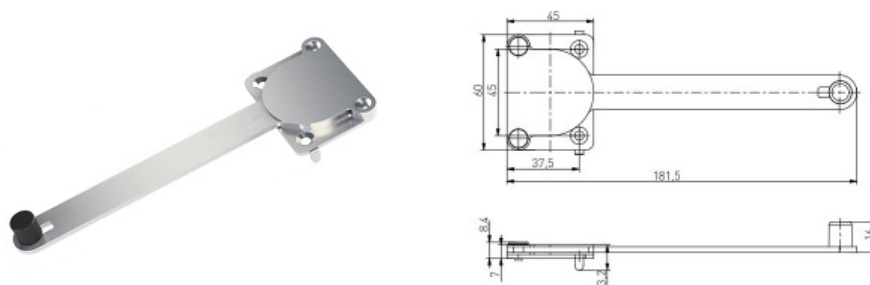


Product code	Description	Colour	Packaging unit
214411	Cockspur fastener	white	100
214428	Cockspur fastener	dark bronze	100

Magnetic Restrictor

Product information

Magnetic blockade for uPVC windows and balcony doors.

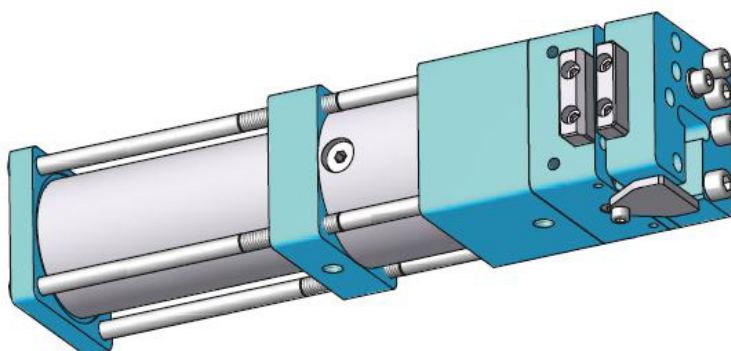


Product code	Description	Packaging unit
WIN000160H	Magnetic restrictor	50

Siegenia Hardware Cropper

Product information

The punching machine is used to shorten fittings that can be cut to length.



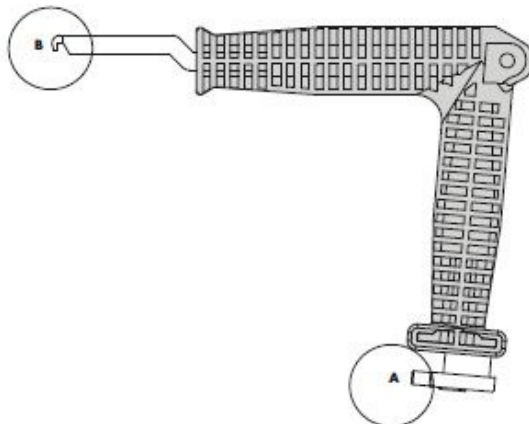
*Note: Only hardware cropper shown

Product code	Description	Side	Packaging unit
ZAAV0241-000011	Hardware cropper	right	1
ZAAV0242-000011	Hardware cropper	left	1
ZAAV0231-000011	Slider L AF	right	1
ZAAV0232-000011	Slider L AF	left	1
ZAAV0151-000011	Slide rail	right	1
ZAAV0152-000011	Slide rail	left	1
158487	Base frame mill finish	right or left	1

Siegenia Window Assembly Key

Product information

To enable easy removal of the top hinge pin and operate the window spindle.

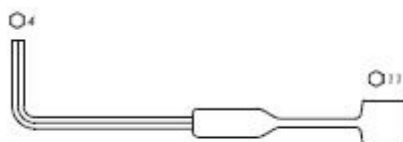


Product code	Description	Packaging unit
ZAEW0030-023010	Window assembly key	1

Siegenia FAVORIT Spanner Allen Key

Product information

For adjusting roller and mushroom cam compression.

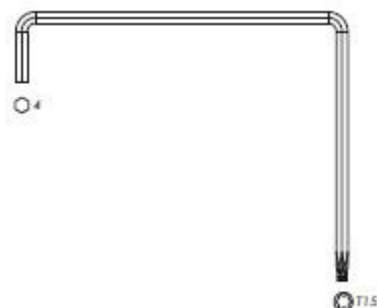


Product code	Description	Packaging unit
157756	Spanner allen key	1

Siegenia 4mm Hex Service Tool

Product information

For aligning adjustable hardware components.

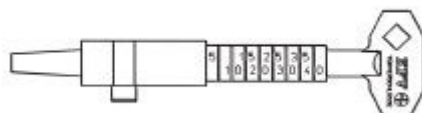


Product code	Description	Packaging unit
ZAEW0060-100010	Hex service tool	1

KFV Door Assembly Key

Product information

Operates spindle and cylinder function on locks; measurement guide for determining cylinder size.



Product code	Description	Colour	Packaging unit
3232291	Door assembly key	blue	1

blaugelb Foam Gun

Product information

Metal foam gun used for PU foam cans. The rubberized handle is ergonomically shaped and ensures a secure grip and fatigue-free working.



Product code	Description	Material	Packaging unit
0361772	PU foam gun with 2 tapered nozzles	metal	1

blaugelb Flexible Foam Gun

Product information

More flexible than the standard foam gun, the flexible helper can access hard-to-reach areas.



Product code	Description	Material	Packaging unit
0400406	PU flexible foam gun with 2 tapered nozzles	metal	1

Foam Gun - 800 AMP PM - Eco & Standard

Product information

Adjustable gun for screw top PU foam cans.



Eco foam gun



Standard foam gun

Product code	Description	Material	Packaging unit
800AMPPMECO	PU foam gun - Eco	metal	1
800AMPPMSTANDARD	PU foam gun - Standard	metal	1

Foam Gun - 800 AMP PM - Prestige & Ultra

Product information

Adjustable gun for screw top PU foam cans.



Prestige foam gun



Ultra foam gun

Product code	Description	Material	Packaging unit
800AMPPMPRESTIGE	PU foam gun - Prestige	metal	1
800AMPPMULTRAM	PU foam gun - Ultra	metal	1

Caulking Gun - 800 AMWM PR - Eco & Standard

Product information

For standard 310ml cartridges.



Eco silicone gun



Standard silicone gun

Product code	Description	Material	Packaging unit
800AMWMPRECO	Silicone gun - Eco	metal	1
800AMWPLRSTAND	Silicone gun - Standard	metal	1

Caulking Gun - 800 AMW P - Prestige

Product information

For standard 310ml cartridges.



Product code	Description	Material	Packaging unit
800AMWMPPRESTIGE	Silicone gun - Prestige	metal	1

Stroxx Driver Bits

Product information

Bits with colour ring, 3 pieces.



Product code	Description	Drive	Length (mm)	Colour	Packaging unit
0009075805	Bits with colour ring, 3 pieces - 1/4	PH1	90	yellow	1
0009075806	Bits with colour ring, 3 pieces - 1/4	PH2	90	yellow	1
0009075807	Bits with colour ring, 3 pieces - 1/4	PH3	90	yellow	1
0009075811	Bits with colour ring, 3 pieces - 1/4	TX10	90	blue	1
0009075812	Bits with colour ring, 3 pieces - 1/4	TX15	90	blue	1
0009075813	Bits with colour ring, 3 pieces - 1/4	TX20	90	blue	1
0009075834	Bits with colour ring, 3 pieces - 1/4	TX25	90	blue	1
0009075835	Bits with colour ring, 3 pieces - 1/4	TX30	90	blue	1
0009075838	Bits with colour ring, 3 pieces - 1/4	HEX 4mm	70	orange	1
0009075840	Bits with colour ring, 3 pieces - 1/4	HEX 5mm	70	orange	1

blaugelb Saber Saw Blade

Product information

Optimized blade shape with 130mm working blade, for maximum accessibility for timber and metal. Suitable for plunge cuts and can handle a wide variety of materials; including timber with nails / metal, chipboard, hard uPVC, GRP and epoxy.



Product code	Description	Length (mm)	Material	Packaging unit
0009022628	Saber saw blade - 5 pieces	150	bi-metal	1

blaugelb Jigsaw Blade - Quick Cut

Product information

Ideal for softer timbers in the construction area, and suitable for thick timber or fiberboard. Suitable for plunge cuts, long service life.



Product code	Description	Length (mm)	Material	Packaging unit
0009022632	Jigsaw blade - 5 pieces	100	steel	1
0009022631	Jigsaw blade - 5 pieces	152	steel	1

blaugelb Jigsaw Blade - Clean Cut

Product information

Ideal for softer timbers in the construction area. Suitable for plunge cuts, with 72mm working length and 2.7 mm tooth pitch, long service life.



Product code	Description	Length (mm)	Material	Packaging unit
0009022633	Jigsaw blade - 5 pieces	100	steel	1

Forum Glazing Hammer

Product information

Plastic hammer with exchangeable yellow CA inserts, galvanised cast iron middle section, and polished timber handle. For gentle hitting without damaging the workpieces.



Product code	Description	Size (mm)	Packaging unit
6601011887	Glazing hammer	22	1
6601011890	Glazing hammer	27	1
6601011893	Glazing hammer	32	1

greenteQ Glazing Shovel

Product information

Used for securing of insulating glass panes in window casements, facilitates the installation of glazing blocks.



Product code	Description	Colour	Material	Packaging unit
GTGBGS01	Glazing shovel	green	plastic	1

Foldable Ruler

Product information

2m folding timber ruler



Product code	Description	Material	Length (m)	Packaging unit
6601018405	Foldable ruler	timber	2	1

STROXX Window Installation Bag

Product information

4 piece window installation bag containing inflatable air cushions with a capacity of 135kg. Easily align heavy objects with millimeter precision and bring them into the optimal position. Suitable for joints from 2-50mm, the pads are non-slip and the hand pump with valve enables easy operation.



Product code	Description	Weight (kg)	Packaging unit
0009035152	Fixing pads - 4 pieces	135	1

STROXX Utility Knife

Product information

Aluminium cutter knife with 18mm snap-off blade.



Product code	Description	Blade width (mm)	Packaging unit
0009052741	Cutter knife	18	1
0000427753	Cutter knife blades	18	50

Dust Pan & Brush

Product information

Metal dustpan with long timber handle. Industrial hand brush with coconut and raw timber.



Product code	Description	Packaging unit
6601018028	Dustpan	1
6601018016	Dustpan brush 45cm	1

Fugen Meister Radius Joint Spatula Set

Product information

Spreader for defined bevels and efficient smoothing on movement joints, connections joints and corner joints. Consists of radius of 4mm & 6mm, 8mm & 10mm, and 12mm & 14mm.



Product code	Description	Packaging unit
6601024133	Spatula joint pack - 3 piece	1

Fugen Meister Angle Joint Spatula Set

Product information

Spreader for defined bevels and efficient smoothing on movement joints, connections joints and corner joints. Consists of angles measuring 5mm & 6mm, 8mm & 10mm, and & 90°, and a radius of 3mm.



Product code	Description	Packaging unit
6601024136	Spatula joint pack - 3 piece	1

greenteQ Scraper

Product information

Angled tips and bevels for various silicone joints.



Product code	Description	Colour	Material	Packaging unit
GTSCR01	Silicon scraper	white	plastic	1

Ramsauer Rapid Cutter

Product information

Light weight cutter designed for opening sealant cartridges and cutting nozzles.



Product code	Description	Packaging unit
9400200	Rapid cutter	1